



## High Bay Installation Instructions

### Cautions

1. Make sure power is removed or turned off before installing product.
2. This product must be installed in accordance with the applicable installation code by a person familiar with the construction and operation of the product and hazards involved.
3. The product must be installed in accordance with the National Electrical Code and all applicable local codes. Proper grounding is required for safety.

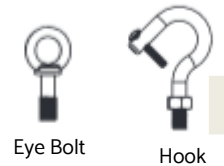
### Précautions

1. Veillez à ce que le pouvoir est supprimé ou désactivé avant d'installer le produit.
2. Ce produit doit être installé conformément au code d'installation en vigueur par une personne familière avec la construction et l'exploitation des produits et des risques impliqués.
3. Le produit doit être conforme au Code électrique National et tous les codes. Raccordée à la terre est nécessaire pour la sécurité.

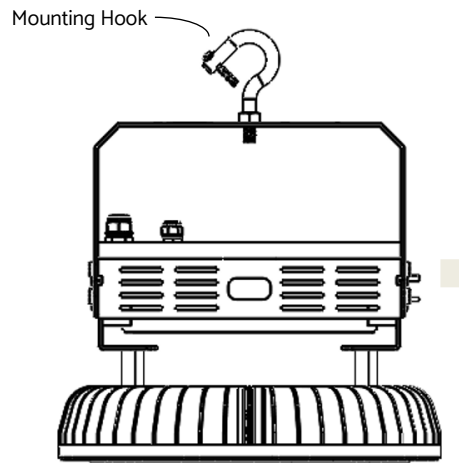
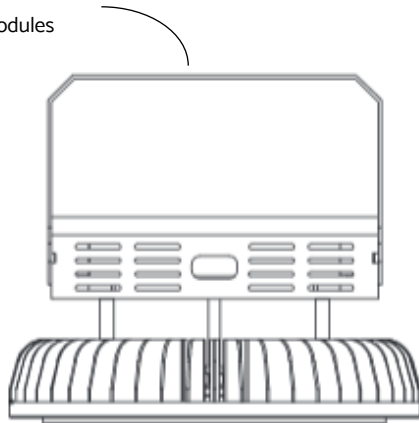
Drivers: HL 300W, 400W, 500W

Reflector: N/A

### Mounting Options



U-Bracket: Standard on 300w,  
400W & 500W modules



### Mounting

- Select desired fixture location. Using specified mounting option, secure fixture in place with appropriate hardware. Make sure mounting location is suitable for weight of fixture.



## Wiring Diagrams

- Make sure power is off or removed before making any electrical connections.
- All connections must be completed within junction box located on top of fixture or within an appropriately rated junction box near fixture. All electrical connections must be in-line with standards set by the National Electrical Code and all applicable local codes.
- See Color guide below for 120-277V AC wiring and 0-10V dimmable wiring color combinations.
- For corded fixtures, all cords must be appropriately secured to corresponding receptacle.

AC 120-277V Power Wires

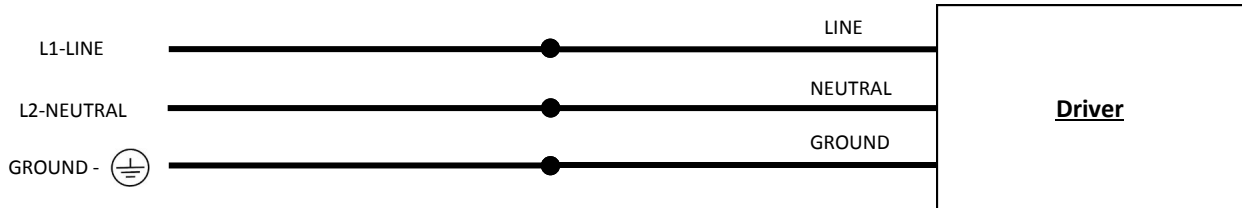
<u>Line</u>	<u>Neutral</u>	<u>Ground</u>
BLACK	WHITE	GREEN
BROWN	BLUE	GREEN/YELLOW

0-10v Dimming Wires

<u>Dimming (+)</u>	<u>Dimming (-)</u>
BLUE	WHITE
VIOLET	GRAY

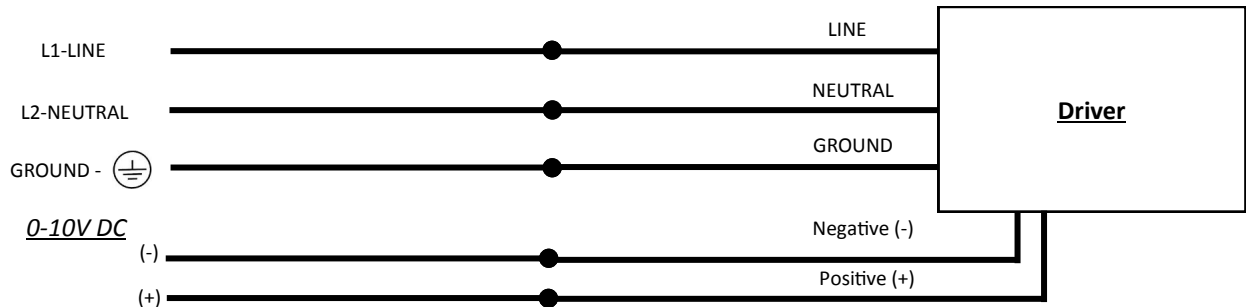
### 120-277V

120-277V AC



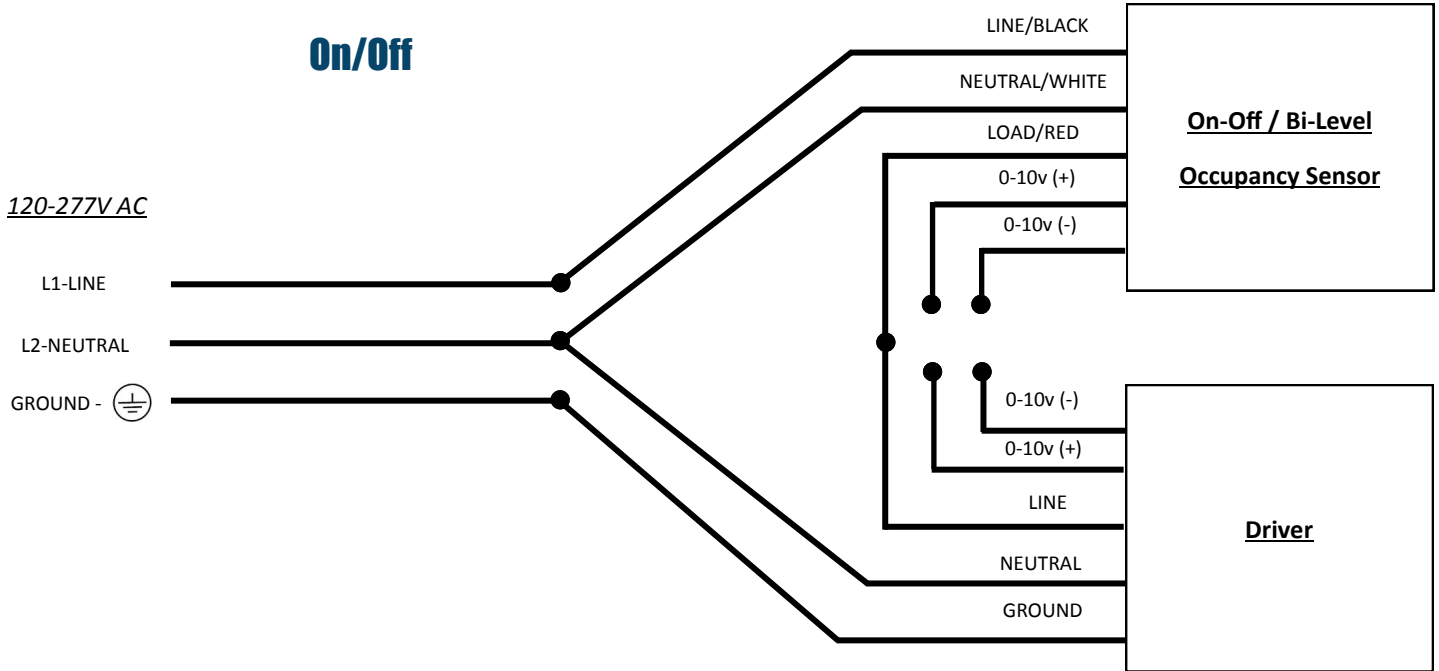
### Dimmable

120-277V AC

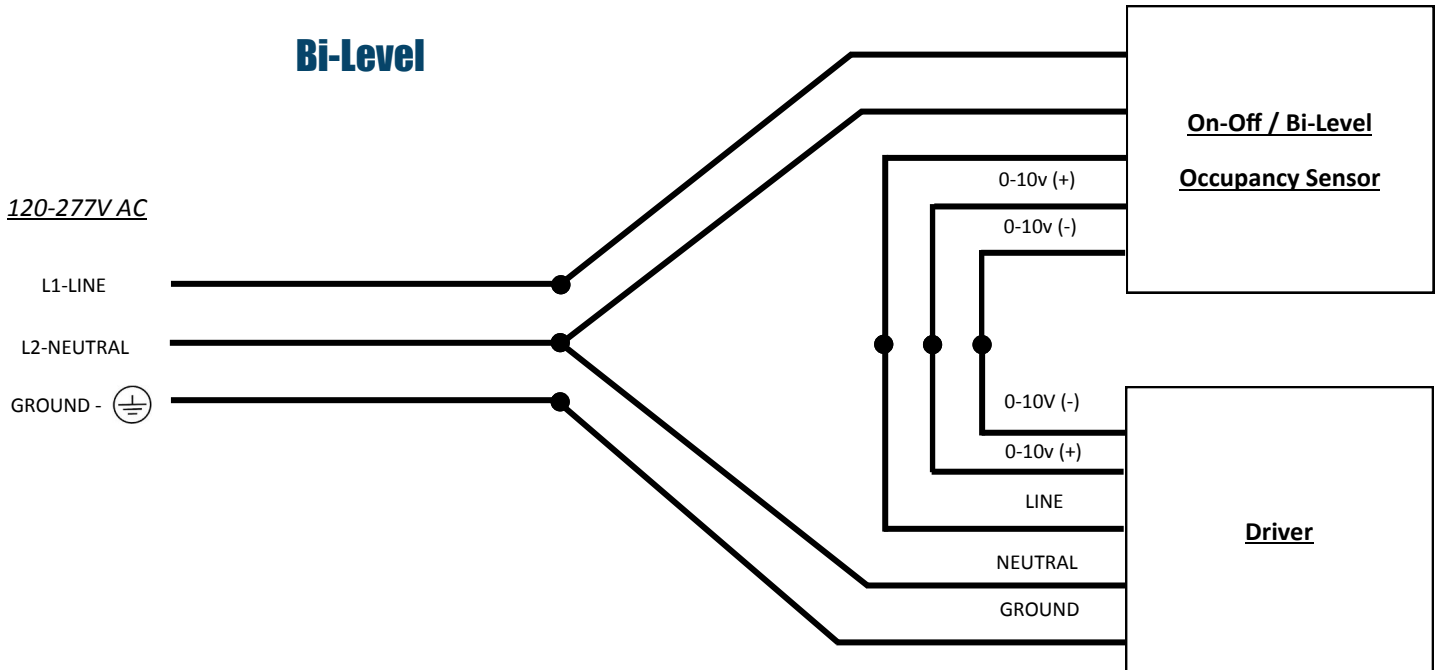




### On/Off

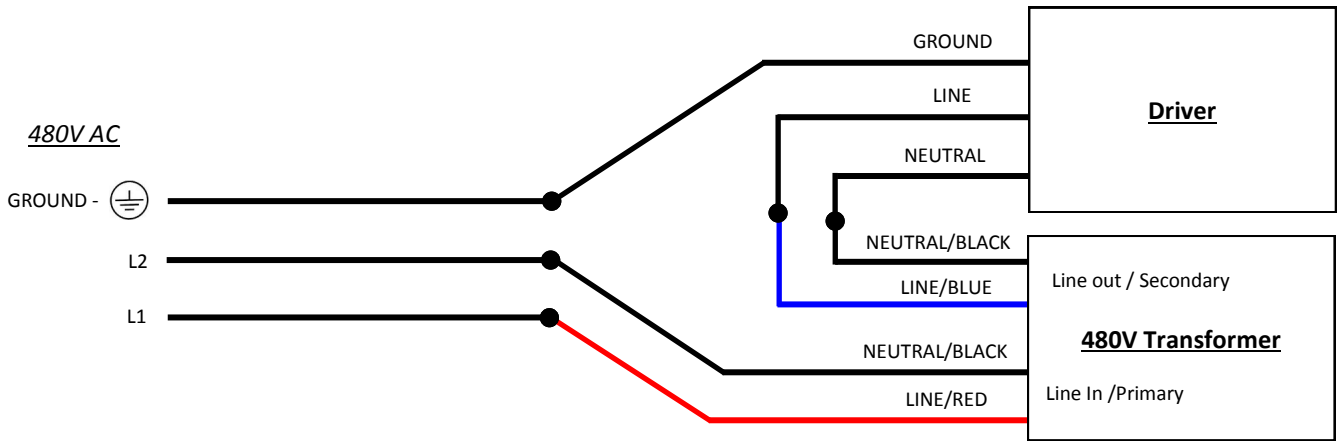


### Bi-Level

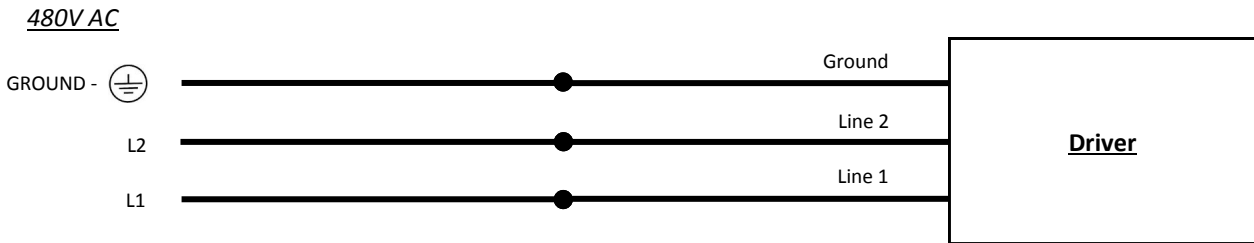




**347-480V - Equipped with 480V step-down transformer**

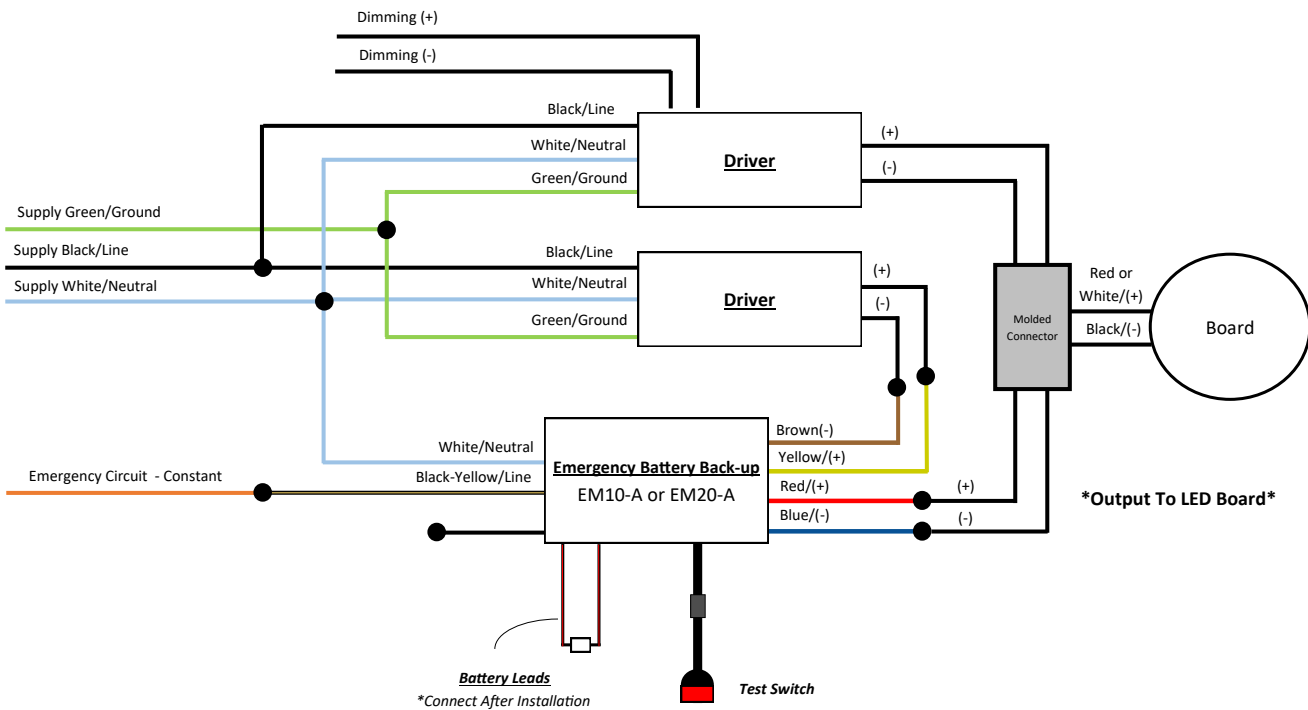


**277V-480V - Equipped with internal 480v Driver**





### 300W, 400W & 500W High Bay with EM10-A/EM20-A Emergency Battery Back-up





## Maintenance

\*Review EverLast Lighting Inc. warranty for a list of components covered under warranty.\*

**NOTE:** For employee safety, all power connections shall be turned off or removed before performing any maintenance on lighting fixtures. Persons performing maintenance shall be familiar with construction and operation of product, plus the hazards involved.

### Cleaning Schedule

To maintain proper efficiency of luminaire, a regular cleaning schedule needs to be established in regards to the placement, location and conditions of product installation. Frequency of cleaning shall be to the discretion of the end user, but should be no less than every 90 days. If conditions mandate, a more frequent cleaning schedule must be implemented. Improper cleaning may result in component malfunctions, product failure and voidance of warranty.

### Fixture Cleaning

- If applicable – use air to blow dust and debris from lens, hood, heatsinks and drivers before wiping with a cleaning solution.
- Use only mild, nonabrasive cleaners. Spray cleaner onto ***soft*** cloth and wipe surface of lens before wiping down other surfaces of lighting fixture.
- If needed – use a very ***soft*** brush or duster to remove excess particles from between heatsinks, drivers or other difficult to reach areas.
- Note any damage (cracking, splitting, peeling, breaks). Contact local sales representative, distributor or EverLast Lighting Inc. if damage replacement is necessary.

### Hardware

- Fixture hardware shall be inspected before each cleaning.
- Check to make sure all hardware connections are secure. Make sure to tighten any loose screws, bolts, nuts, liquid tight connectors, strain reliefs or electrical connections.
- Note any instances of damaged hardware. If any hardware is found to be consistently loose, damaged or questionable in any manner, contact local sales representative, distributor or EverLast Lighting Inc.

### Electrical Connections

- Check electrical connections each time maintenance is performed.
- Check to make sure all components (drivers, sensors, transformers, etc.) are properly connected and secured.
- Proper wiring connections and ground are imperative for fixture performance and customer safety.

### Safety Cables (if applicable)

- Safety cables shall be regularly inspected during cleaning cycles.
- Check to make sure cables and connectors show no signs of damage. If damage is found contact local sales representative, distributor or EverLast Lighting Inc. for replacements cables right away.