



EVERLAST LED VICTORY SHOE BOX 120W / 14,904LM

The EVERLAST LED VICTORY SHOE BOX 120W fixture achieves **14,904 LUMENS**.

The EVERLAST LED VICTORY SHOE BOX offers enhanced illumination for a large outdoor area. Strategic placement of the die-cast aluminum VICTORY SHOE BOX will provide a powerful and effective light distribution (type V).

The sleek housing of the VICTORY SHOE BOX offers through-hole design to minimize the effects of extreme outdoor conditions.

Available sensors include on/off, bi-level, and dusk-to-dawn.

APPLICATION

Parking areas and garages, street and roadway lighting, automotive dealership, tennis court and walkway applications.

FEATURES & BENEFITS

- 10-year Limited Warranty.
- Inventronics LED Driver offers high performance and unprecedented quality.
- Performance engineered clear polycarbonate lens assembly delivers effective beam angles and reduces glare.
- Luxeon LED chips provide high flux density to enable directional and high lumen applications.

LED & OPTICAL ASSEMBLY

- Luxeon LED
- 80 CRI
- Type V Light Distribution
- LM-79 Tests in accordance with IESNA standards

APPROVALS / LISTINGS

- ETL Listed to UL1598
- EPA Rating: 0.95 ft²
- BUG Rating: B5-U0-G2
- IP65 per ANSI C126.25-2009
- Temperature rated -22° to 122°F (-30° to 50°C)
- CE / RoHS compliant
- LM80 & TM21 data available on request

MATERIALS

Diecast aluminum driver housing.

SIZE / WEIGHT (PACKAGED)

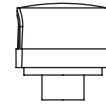
22.5" x 11.8" x 5.7" (24.0" x 14.0" x 6.0")
17.2 lbs. (20.5 lbs.)

MOUNTING HARDWARE

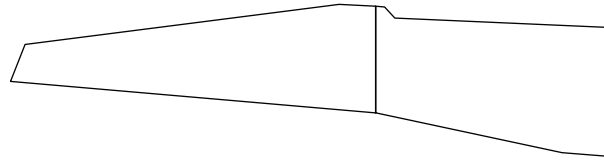
Two options available - adjustable u-bracket (AUB) & knuckle slip fitter (KSF).

FIXTURE

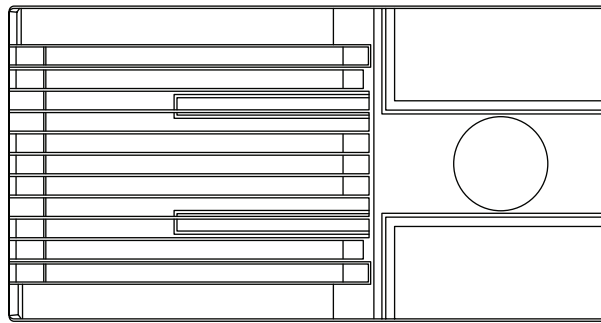
PC · BLPC
PHOTOCELL ·
BLANK PHOTOCELL



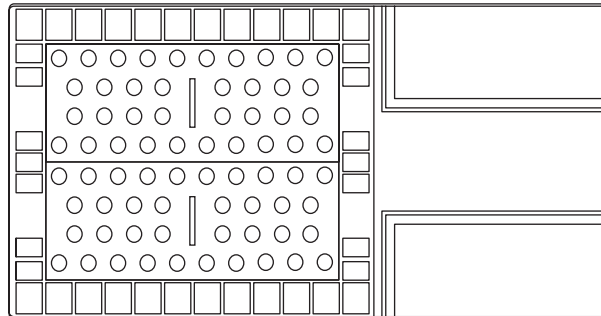
SIDE



TOP



FACE



BASE

	EL-LED-VS-	120-	
FIXTURE	EL-LED-VS- EVERLAST LED VICTORY SHOE BOX	WATTAGE 120 WATT 14,904 LUMENS	VOLTAGE UL UNIVERSAL (120-277V AC) UH UNIVERSAL (347-480v AC)

ACCESSORY

COLOR TEMP. 65 6500K / 80 CRI 57 5700K / 80 CRI 50 5000K / 80 CRI 40 4000K / 80 CRI	DISTRIBUTION V TYPE V	SENSOR OF ON / OFF BL BILEVEL PC NEMA PHOTOCELL BLPC BLANK PHOTOCELL	MOUNT (PAGE 2) AUB ADJUSTABLE U-BRACKET KSF KNUCKLE SLIP FITTER	OTHER SP10 10kV SURGE PROTECTOR
--	---------------------------------	---	--	---



EVERLAST LED VICTORY SHOE BOX

120W / 14,904LM

SPECS

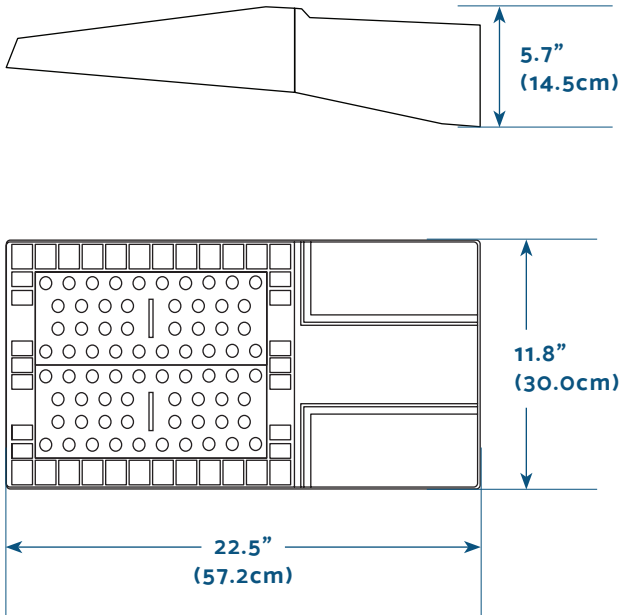
EMITTER (LUXEON) & DRIVER (INVENTRONICS)

SYSTEM WATTS (120-277V AC)	INITIAL DELIVERED LUMENS (5000K) 80CRI	NUMBER OF LEDS	TOTAL CURRENT / FIXTURE				
			120V AC	208V AC	240V AC	277V AC	480V AC
120	14,904	72	1.00	0.58	0.50	0.43	0.25

INPUT

VOLTAGE RANGE	FREQUENCY RANGE	POWER FACTOR	TOTAL HARMONIC DISTORTION (DURING OUTPUT LOAD)	EFFICIENCY (230V AC / 277V AC)
100-277V AC 347-480V AC	50 / 60 Hz	0.92	THD < 15%	>92%

DIMENSIONS



MOUNTS

