

## Titan Series Installation Instructions

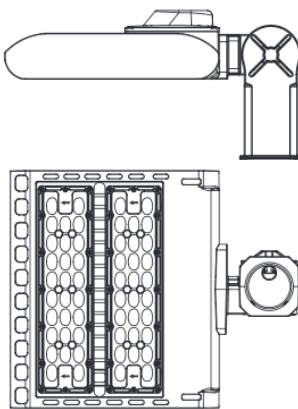
### Cautions

1. Make sure power is removed or turned off before installing product.
2. This product must be installed in accordance with the applicable installation code by a person familiar with the construction and operation of the product and hazards involved.
3. The product must be installed in accordance with the National Electrical Code and all applicable local codes. Proper grounding is required for safety.

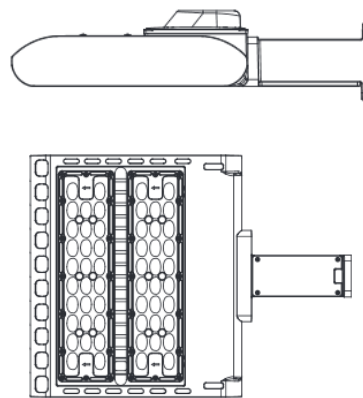
### Précautions

1. Veillez à ce que le pouvoir est supprimé ou désactivé avant d'installer le produit.
2. Ce produit doit être installé conformément au code d'installation en vigueur par une personne familière avec la construction et l'exploitation des produits et des risques impliqués.
3. Le produit doit être conforme au Code électrique National et tous les codes. Raccordée à la terre est nécessaire pour la sécurité.

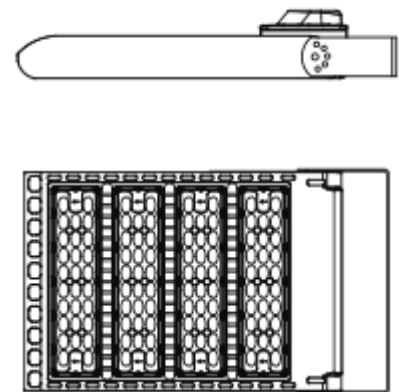
150W fixture &  
Knuckle Slip Fitter



200W fixture &  
Square Surface Mount



300W fixture &  
Flood Mount



### Mounting Instructions

#### **Knuckle Slip Fitter (KSF):**

- Make sure pole is suitable for fixture mounting. Place fixture onto pole and secure using properly rated hardware. If applicable, move adjustable brackets to desired angle and secure.

#### **Surface Square Mount (SSM):**

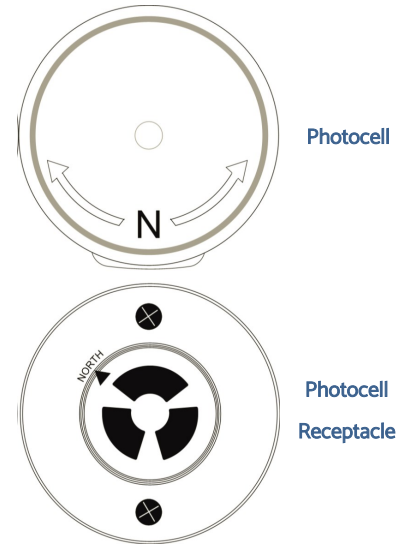
- Use printable dimensions or square mount to mark position on mounting surface. Drill holes for mounting fixture and one for passing power cord through.
- Place power cord through designated hole into mounting surface. Align mounting bracket with corresponding holes, secure bracket to surface using hardware rated for weight of fixture.

#### **Flood Mount (FLM):**

- Use printable dimensions or flood mount to mark position on mounting surface. Drill holes for mounting fixture and one for passing power cord through.
- Place power cord through designated hole into mounting surface. Align mounting bracket with corresponding holes, secure bracket to surface using hardware rated for weight of fixture.
- If applicable, move adjustable brackets to desired angle and secure.

## Photocell Orientation Instructions

- After fixture installation, make sure eye of photocell is orientated properly.
- If reorientation is needed, locate North position on photocell receptacle.
- Loosen both screws securing receptacle to fixture, rotate receptacle 180°, tighten screws to secure receptacle to fixture.
- Place photocell into receptacle and turn to lock into position.

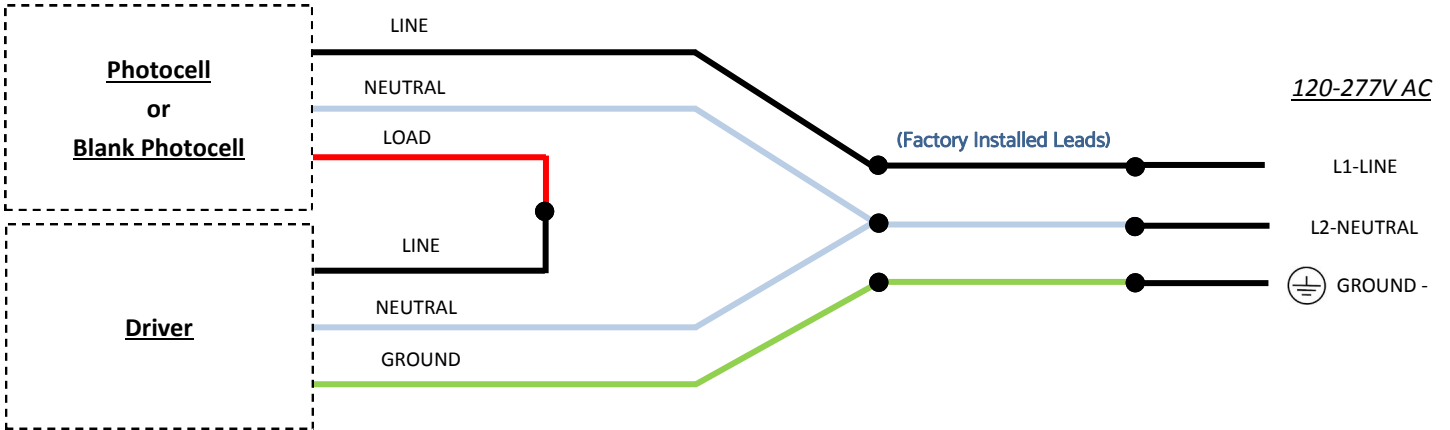


## Fixture Wiring

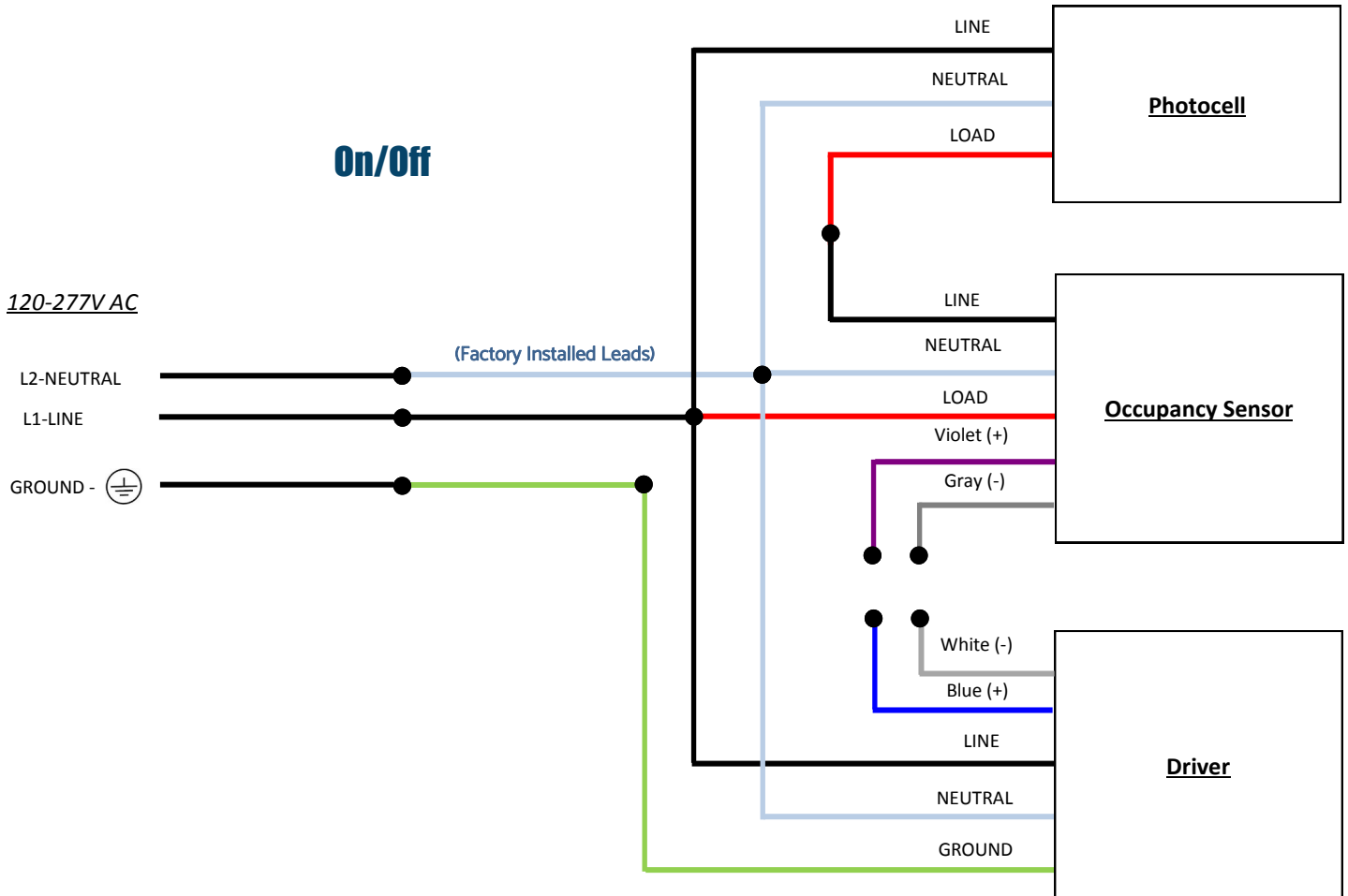
- Make sure power is off or removed before making any electrical connections.
- Make sure all connections are completed within properly rated junction box or a location suitable for making electrical connections. All electrical connections must be in-line with standards set by the National Electrical Code and all applicable local codes.
- If applicable, all cords must be appropriately secured to corresponding receptacle.
- See Wiring Diagrams on following pages.

# Wiring Diagrams

## Standard 120-277 V



## On/Off



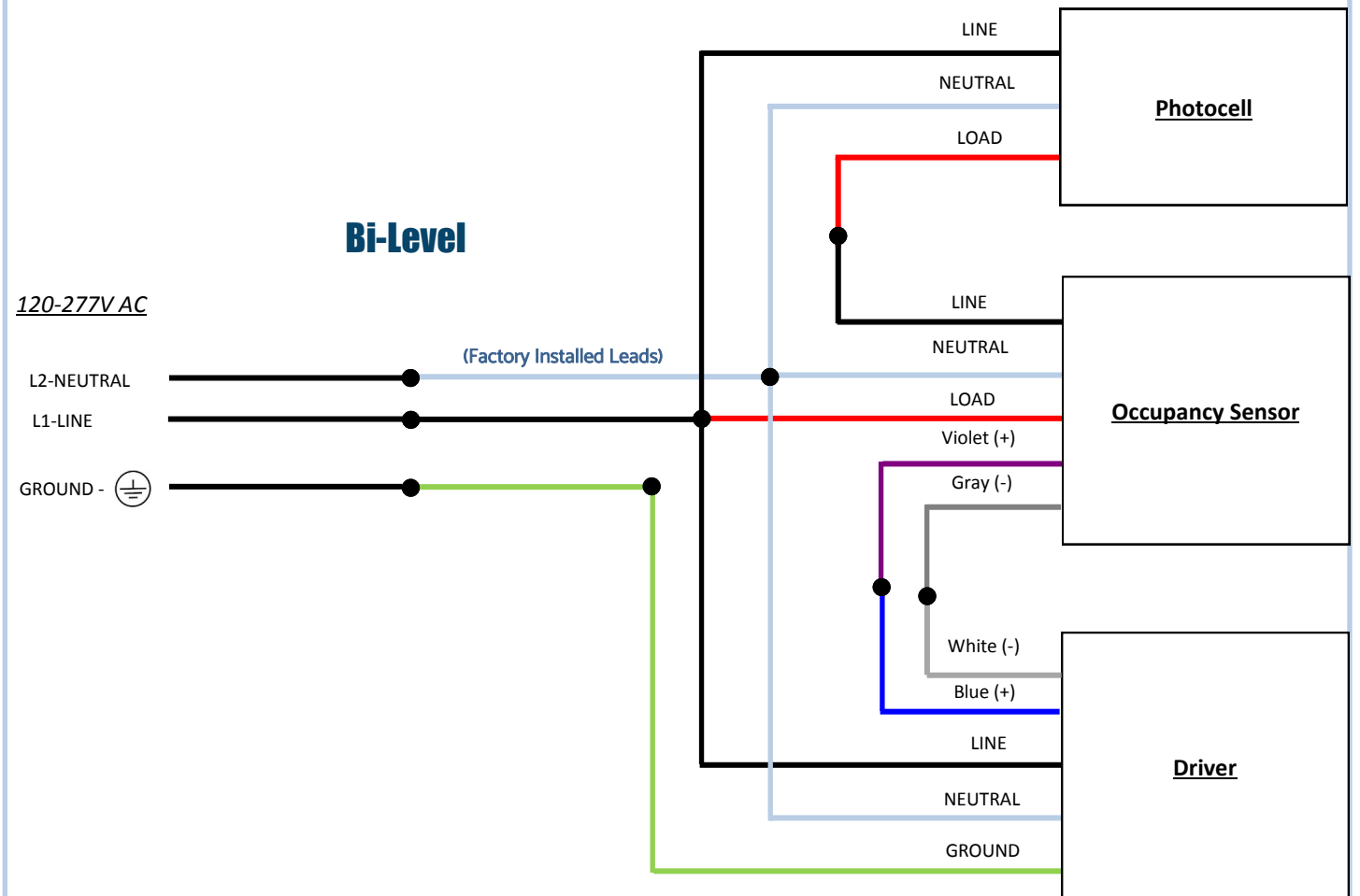
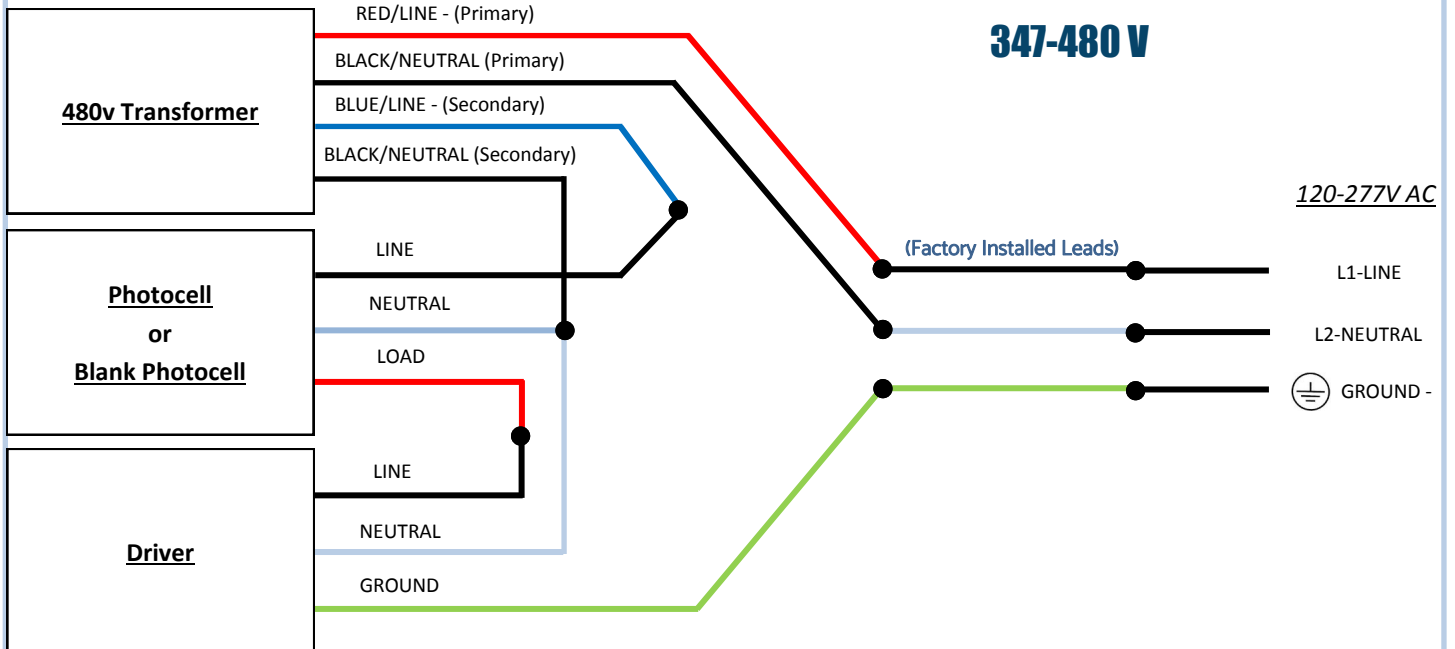


**EVERLAST**  
LIGHTING

BASE PART #

PROJECT

NOTES



FAX 866-366-4029

WWW.EVERLASTLIGHT.COM

CALL 888-383-7578

© 2016 EVERLAST® LIGHTING, LLC. ALL RIGHTS RESERVED. PUBLISHED BY EVERLAST® LIGHTING, 2021 WELLWORTH AVENUE, JACKSON, MICHIGAN 49203. REPRODUCTION IN PART OR WHOLE OF THIS DOCUMENT IN ANY COMMERCIAL USES INCLUDING PUBLICATION, BROADCASTING OR REDISTRIBUTION IN ANY MEDIUM WITHOUT THE PRIOR WRITTEN PERMISSION OF THE PUBLISHER IS PROHIBITED, 12-16

## Maintenance

\*Review EverLast Lighting Inc. warranty for a list of components covered under warranty.\*

**NOTE:** For employee safety, all power connections shall be turned off or removed before performing any maintenance on lighting fixtures.

Persons performing maintenance shall be familiar with construction and operation of product, plus the hazards involved.

### Cleaning Schedule

To maintain proper efficiency of luminaire, a regular cleaning schedule needs to be established in regards to the placement, location and conditions of product installation. Frequency of cleaning shall be to the discretion of the end user, but should be no less than every 90 days. If conditions mandate, a more frequent cleaning schedule must be implemented. Improper cleaning may result in component malfunctions, product failure and voidance of warranty.

### Fixture Cleaning

If applicable – use air to blow dust and debris from lens, hood, heatsinks and drivers before wiping with a cleaning solution.

Use only mild, nonabrasive cleaners. Spray cleaner onto **soft** cloth and wipe surface of lens before wiping down other surfaces of lighting fixture.

If needed – use a very **soft** brush or duster to remove excess particles from between heatsinks, drivers or other difficult to reach areas.

Note any damage (cracking, splitting, peeling, breaks). Contact local sales representative, distributor or EverLast Lighting Inc. if damage replacement is necessary.

### Hardware

Fixture hardware shall be inspected before each cleaning.

Check to make sure all hardware connections are secure. Make sure to tighten any loose screws, bolts, nuts, liquid tight connectors, strain reliefs or electrical connections.

Note any instances of damaged hardware. If any hardware is found to be consistently loose, damaged or questionable in any manner, contact local sales representative, distributor or EverLast Lighting Inc.

### Electrical Connections

Check electrical connections each time maintenance is performed.

Check to make sure all components (drivers, sensors, transformers, etc.) are properly connected and secured.

Proper wiring connections and ground are imperative for fixture performance and customer safety.

### Safety Cables (if applicable)

Safety cables shall be regularly inspected during cleaning cycles.

Check to make sure cables and connectors show no signs of damage. If damage is found contact local sales representative, distributor or EverLast Lighting Inc. for replacements cables right away.

# Titan Series Bracket Diagrams

