

The **EVERLAST COMPACT WALL PACK LED SERIES** utilizes chip on board (COB) technology, meaning multiple LED chips are bonded directly to the substrate to form a single module. This technology and packaging attains the full LED chip potential and requires substantially less space (smaller housing).



The **EVERLAST COMPACT WALL PACK LED SERIES** features a high pressure, die cast aluminum housing with anti-static powder coat finish. This fixture will continue producing high output LED light and maintaining appearance through years of extreme outdoor conditions.

Listed as **DLC** (August 2017) and available in a variety of wattages (2 COB - 30, 3 COB - 50W & 80W), the **EVERLAST COMPACT WALL PACK LED SERIES** is a great solution for all general and security lighting applications.

COMPACT WALL PACK (GDC) LED SERIES

2 COB WALL PACK

30 WATT
3,006 LUMEN 



3 COB WALL PACK

50 WATT
5,418 LUMEN 

80 WATT
8,706 LUMEN 



FEATURES

10-Year Limited Warranty

UV resistant, polycarbonate lens

Sensor options include button-type Photocell

Highly efficient COB LED technology means longer lasting, brighter light

Offers a warm, consistent lighting solution for any outdoor vertical space

Simple installation into new or retrofit applications due to compact size and weight



APPLICATIONS

The EVERLAST GUARDIAN COMPACT WALL PACK LED SERIES is ideal for any application requiring nondescript lighting, including residential, historic area, parks, shopping mall, and courtyard applications.

2 COB WALL PACK

ENERGY CONSUMPTION:

30 watts

NUMBER OF COB:

2

LIGHT OUTPUT:

3,006 lumens

COLOR TEMPERATURE:

4,000K | 5,000K

CRI:

80

STANDARD FINISH:

bronze

DIMENSIONS:

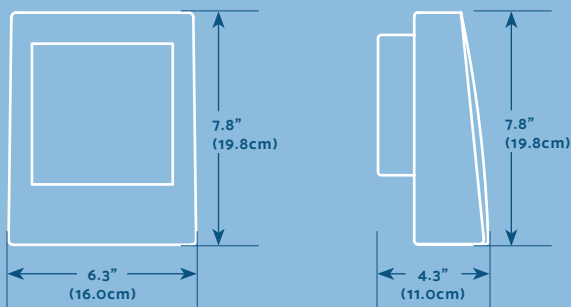
4.3"(w) x 6.3"(h) x 7.8"(d)

IP RATING:

IP65

WARRANTY:

10 year limited



3 COB WALL PACK

ENERGY CONSUMPTION:

50 | 80 watts

NUMBER OF COB:

3

LIGHT OUTPUT:

5,418 | 8,706 lumens

COLOR TEMPERATURE:

4,000K | 5,000K

CRI:

80

STANDARD FINISH:

bronze

DIMENSIONS:

6.0"(w) x 11.8"(h) x 10.8"(d)

IP RATING:

IP65

WARRANTY:

10 year limited

