

# MARQUEE LED 36W / 4,328 LM 2x2 FLAT PANEL TROFFER

The **MARQUEE LED 36W 2x2 FLAT PANEL TROFFER** achieves **4,328 LUMENS**.

The **MARQUEE LED 36W 2x2 FLAT PANEL TROFFER** is ideal for illuminating any interior office area. In addition to new construction projects, these thin, flush mount fixtures are a simple retrofit for existing fluorescent fixtures.

Using nearly half as much energy and lasting twice as long as traditional fluorescent fixtures, this sleek, modern fixture is both cost-effective and highly efficient. Make the switch to the **MARQUEE LED 36W 2x2 TROFFER** to realize both energy and maintenance savings.

## APPLICATION

LED 2x2 Flat Panel Troffers are designed for interior office building, retail, school, hotel, and hospital applications.

## FEATURES & BENEFITS

- 10-year Limited Warranty
- Thin (9mm) flat panel with edge LED
- Opaque PMMA light guide panel (LGP) creates a very uniform light source with low glare
- 50,000+ hour LED lifetime
- Simple new / retrofit mounting
- Immediate start

## LED & OPTICAL ASSEMBLY

- Mitsubishi PMMA Light Guide Plate
- 80 CRI
- Type V Light Distribution
- Available in four color temperatures

## APPROVALS / LISTINGS

- UL1598 Listed
- LM-79 tests to IESNA standards
- Temperature rated -20°C to 45°C (-4°F to 113°F)
- IP42 Rating

## MATERIALS

- White, powder coated super thin (9mm) aluminum frame
- UV stabilized acrylic lens

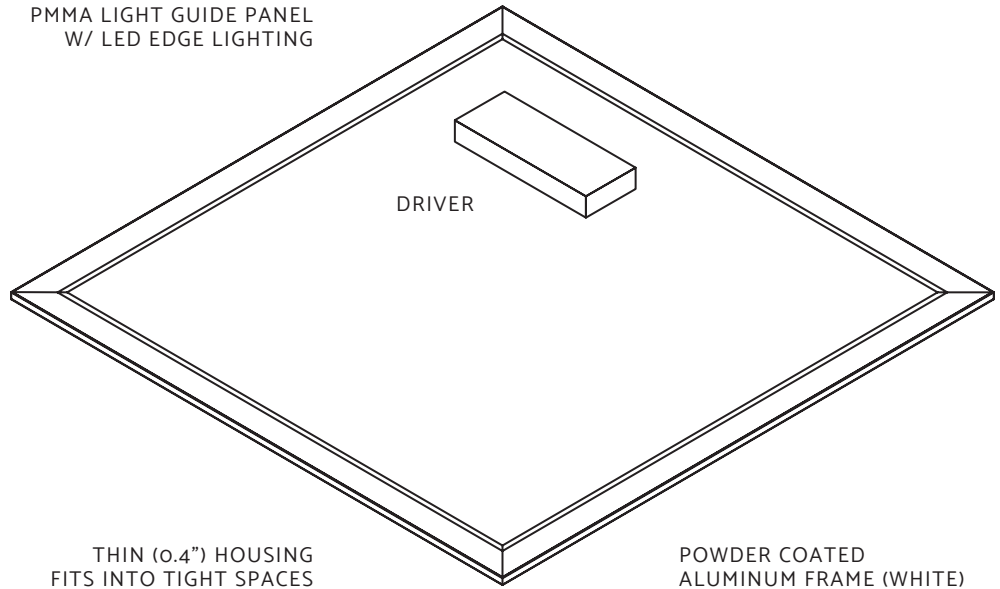
## SIZE / WEIGHT (PACKAGED)

0.9" x 23.7" x 23.7" (2.0" x 26.0" x 26.0")  
 9.3 lbs. (10.3 lbs.)

## MOUNTING

Fits standard T-bar and narrow grid drop ceilings, also may be direct or suspension mounted (optional cables available).

PMMA LIGHT GUIDE PANEL  
 W/ LED EDGE LIGHTING



DRIVER

THIN (0.4") HOUSING  
 FITS INTO TIGHT SPACES

POWDER COATED  
 ALUMINUM FRAME (WHITE)

## ORDER INFORMATION

e.g., EL-LED-MQ-2236-UL-D-50

SERIES	WATTAGE	VOLTAGE	DIMMING	COLOR TEMP
EL-LED-MQ	2236			
<b>EL-LED-MQ</b> EVERLAST LED MARQUEE FLAT PANEL TROFFER	<b>2236</b> 2' x 2' 36 WATT 4,328 LUMENS	<b>UL UNIVERSAL</b> (120-277V AC)	<b>X NONE</b> <b>D 0-10V</b>	<b>50</b> 5000K 80CRI <b>40</b> 4000K 80CRI <b>35</b> 3500K 80CRI <b>30</b> 3000K 80CRI
<b>CORD OPTIONS</b>			<b>ADDITIONAL OPTIONS</b>	
<b>S6W</b> 6' WHITE 120V STANDARD <b>S9W</b> 9' WHITE 120V STANDARD <b>L56W</b> 6' WHITE 120V TWIST LOCK <b>L59W</b> 9' WHITE 120V TWIST LOCK <b>L66W</b> 6' WHITE 240V TWIST LOCK <b>L69W</b> 9' WHITE 240V TWIST LOCK <b>L76W</b> 6' WHITE 277V TWIST LOCK <b>L79W</b> 9' WHITE 277V TWIST LOCK	<b>S6B</b> 6' BLACK 120V STANDARD <b>S9B</b> 9' BLACK 120V STANDARD <b>L56B</b> 6' BLACK 120V TWIST LOCK <b>L59B</b> 9' BLACK 120V TWIST LOCK <b>L66B</b> 6' BLACK 240V TWIST LOCK <b>L69B</b> 9' BLACK 240V TWIST LOCK <b>L76B</b> 6' BLACK 277V TWIST LOCK <b>L79B</b> 9' BLACK 277V TWIST LOCK	<b>EM EMERGENCY DRIVER</b> <b>HBGRIP72</b> 72" ADJUSTABLE CABLE <b>HBGRIP180</b> 180" ADJUSTABLE CABLE		

# MARQUEE LED 36W / 4,328 LM 2x2 FLAT PANEL TROFFER

## EMITTER & DRIVER (FAHOLD) SPECIFICATIONS

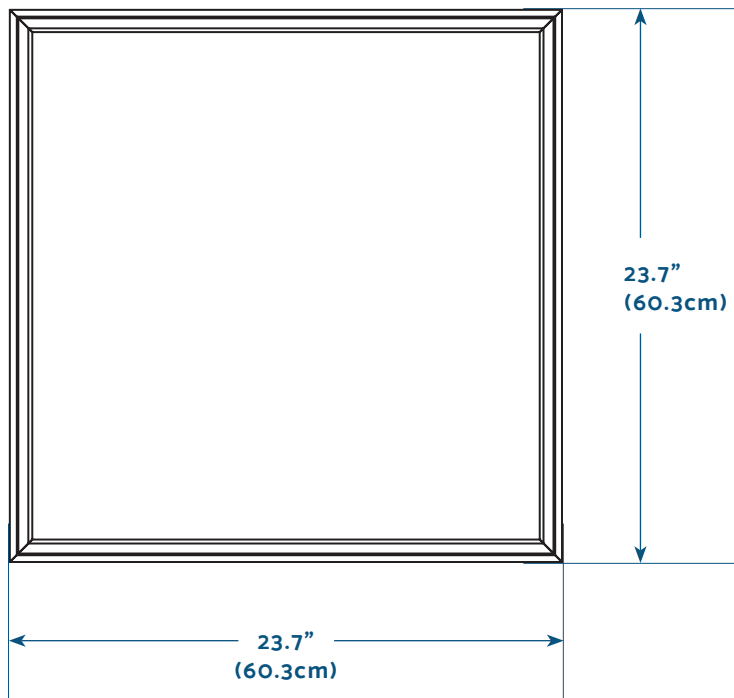
SYSTEM WATTS (120-277V AC)	INITIAL DELIVERED LUMENS (5000K) 80 CRI	NUMBER OF LEDS	TOTAL CURRENT / FIXTURE			
			120V AC	208V AC	240V AC	277V AC
36	4,328	192	0.30	0.17	0.15	0.13

## INPUT

VOLTAGE RANGE	FREQUENCY RANGE	POWER FACTOR	TOTAL HARMONIC DISTORTION	EFFICIENCY (230V AC / 277V AC)
100-277V AC	50 / 60 Hz	0.93 - 0.98	THD < 12% WHEN OUTPUT LOADING	>88%

## MARQUEE RECESSED FLAT PANEL

### PANEL VIEW



### SIDE VIEW

