



EVERLAST LED HIGH LUMEN 15D LEGEND POLYCARBONATE 22" 240W / 38,585LM

The EVERLAST LED HIGH LUMEN 15D LEGEND 240W fixture achieves 38,585 LUMENS.

Industry-leading output (161 LPW) places the HL15D High Bay well above the competition. With its classic round form, the HL15D High Bay fits discretely into any high ceiling lighting application.

The superior lumen output of the HL15D High Bay translates into considerable energy savings, improved visibility / productivity, and increased safety. The fully customizable HL15D is Built For You.

APPLICATION

Industrial and warehouse, large retail, gymnasium, and athletic facility applications.

FEATURES & BENEFITS

- 161 Lumens / Watt
- 10-year Limited Warranty
- Meanwell HBG LED Driver w/ 1-10V dimming offers high performance and control compatibility

LED MODULE

- Lumileds LED chips provide unmatched efficiency, heat dissipation, stability, and lumen maintenance
- 80 CRI
- 120° light distribution
- LM-79 Tests (IESNA standard)

APPROVALS / LISTINGS

- UL1598
- IP65 Rated
- Temperature rated -22° to 122°F (-30° to 50°C)
- CE / RoHS compliant
- LM80 & TM21 data available on request

MATERIALS

- Diecast aluminum driver housing with powder coat finish
- Diecast aluminum heat sink

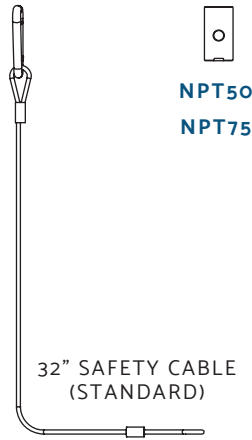
SIZE / WEIGHT (PACKAGED)

22.9" x 22.5" x 22.5" (25.0" x 22.8" x 22.8")
18.1 lbs. (27.5 lbs.)

MOUNTING HARDWARE

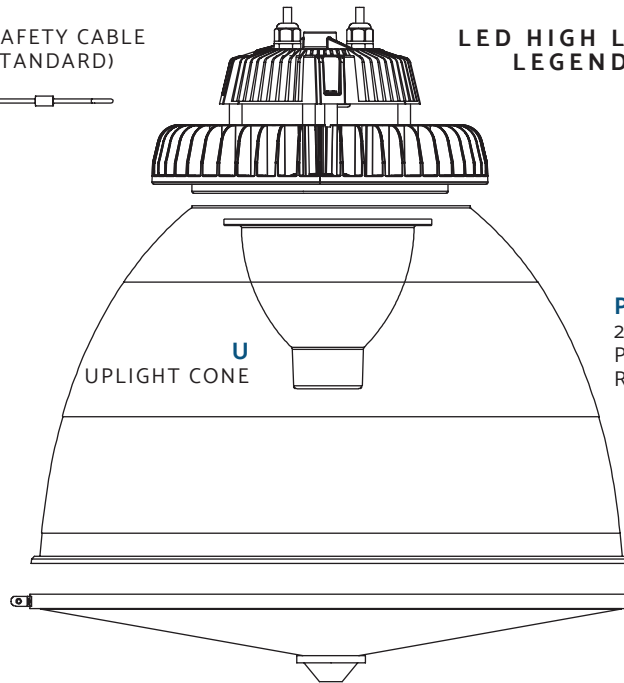
M12 Hook (standard), 1/2" or 3/4" NPT Adaptor / Flange* (optional), or M12 Eyelet (optional)

FIXTURE



JB
JUNCTION BOX
*REQ. w/ 6FW & FL50/75

**LED HIGH LUMEN 15D
LEGEND 240W**



PC22
22"
POLYCARBONATE
REFLECTOR

OF · BL · DH
ON / OFF,
BI-LEVEL,
DAYLIGHT
HARVEST
SENSOR

BASE	EL-LED-HL15D-LG-	240-			
	FIXTURE	WATTAGE	VOLTAGE	COLOR TEMP.	LENS
	EL-LED-HL15D-LG- EVERLAST LED HIGH LUMEN 15 DIECAST LEGEND	240 WATT 38,585 LUMENS	L 120-277V AC UH 347-480V AC	50 5000K 40 4000K 30 3000K	X 120° FLAT LENS

ACCESSORY	REFLECTOR	CORD	SENSOR	MOUNT	OTHER
	PC22 22" POLYCARBONATE REFLECTOR U UPLIGHT CONE	S9W 9' WHITE 120V STANDARD L59W 9' WHITE 120V TWIST LOCK L69W 9' WHITE 240V TWIST LOCK L79W 9' WHITE 277V TWIST LOCK 6FW* 6' FLEXIBLE CONDUIT	S9B 9' BLACK 120V STANDARD L59B 9' BLACK 120V TWIST LOCK L69B 9' BLACK 240V TWIST LOCK L79B 9' BLACK 277V TWIST LOCK 9BCNO 9' BLACK NO PLUG	D 1-10V DIMMING OF ON / OFF BL BILEVEL DH DAYLIGHT HARVEST	EYE M12 EYELET FL50* 1/2" NPT FLANGE FL75* 3/4" NPT FLANGE HK M12 HOOK NPT50 1/2" NPT ADAPTOR NPT75 3/4" NPT ADAPTOR

*REQUIRES JUNCTION BOX



EVERLAST LED HIGH LUMEN 15D LEGEND POLYCARBONATE 22" 240W / 38,585LM

SPECS

EMITTER (LUMILEDS) & DRIVER (MEANWELL HBG LED)

SYSTEM WATTS (120-277V AC)	INITIAL DELIVERED LUMENS (5000K) 80CRI	NUMBER OF LEDS	TOTAL CURRENT / FIXTURE				
			120V AC	208V AC	240V AC	277V AC	480V AC
240	38,585	455	2.00	1.15	1.00	0.87	0.50

INPUT

VOLTAGE RANGE	FREQUENCY RANGE	POWER FACTOR	TOTAL HARMONIC DISTORTION (DURING OUTPUT LOAD)	EFFICIENCY (230V AC / 277V AC)
90-305V AC 347-480V AC	50 / 60 Hz	0.93 - 0.98	THD < 15%	>90%

DIMENSIONS

