

DUSK-TO-DAWN LED SECURITY LIGHT 50W / 6,365LM

The EVERLAST DUSK-TO-DAWN LED SECURITY LIGHT 50W fixture achieves **6,365 LUMENS**.

The EVERLAST DUSK-TO-DAWN LED SECURITY LIGHT 50W fixture is designed for industrial / commercial area lighting to make yards, drives, warehouses, and loading areas safe and secure.

This series is ideal for existing High Pressure Sodium (HPS) retrofit, offering higher efficacy for increased energy savings, lower maintenance cost, and short payback period.

APPLICATION

This outdoor fixture is ideal for parking lot, industrial area, and street / area lighting applications.

FEATURES & BENEFITS

- 10-year Limited Warranty
- LED Driver offers high performance and unprecedented quality
- Cold-forged, pure aluminum heat sink offers heat transmission 3x faster than die cast aluminum

LED & OPTICAL ASSEMBLY

- LED Chips provide unmatched efficiency, heat dissipation, stability, and lumen maintenance
- Performance engineered optical lens assembly optimizes lumen output and reduces glare
- 75+ CRI LED Chips
- 120° light distribution
- LM-79 in accordance with IESNA standards

APPROVALS / LISTINGS

- DLC Listed
- ETL Listed to UL1598
- IP65 per ANSI C126.25-4009
- Temperature rated -40°C to 50°C
- LM-80 & TM-21 data available on request

MATERIALS

- Diecast aluminum housing with heavy duty grey anti-static powder coating for improved corrosion resistance & heat transfer
- Unique optical design guarantees excellent light distribution and uniformity

SIZE / WEIGHT (PACKAGED)

6.1" x 14.5" x 9.9" (8.0" x 16.0" x 12.0")
 4.2 lbs. (5.3 lbs.)

MOUNTING HARDWARE

Wall or pole mount (0.83" ID).



ORDER INFORMATION

e.g., EL-LED-DD-50-UL-50

SERIES	WATTAGE	VOLTAGE	COLOR TEMP	OPTIONS
EL-LED-DD	50	UL	50	
EL-LED-DD EVERLAST LED DUSK-TO-DAWN	50 WATT 6,365 LUMENS	UL UNIVERSAL (120-277V AC)	50 5000K 75+CRI 40 4000K 75+CRI	PC TWISTLOCK PHOTOCELL BLPC BLANK PHOTOCELL

LED DUSK-TO-DAWN SECURITY LIGHT 50W / 6,365LM

EMITTER & DRIVER SPECIFICATIONS

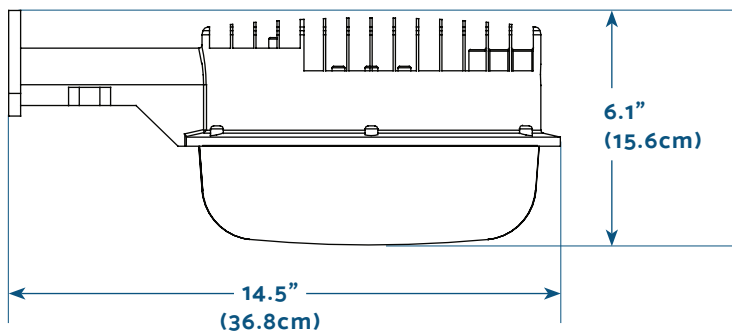
SYSTEM WATTS (120-277V AC)	INITIAL DELIVERED LUMENS (5000K) 80 CRI	NUMBER OF LEDS	TOTAL CURRENT / FIXTURE			
			120V AC	208V AC	240V AC	277V AC
50	6,365	1 COB	0.42	0.24	0.21	0.18

INPUT

VOLTAGE RANGE	FREQUENCY RANGE	POWER FACTOR	TOTAL HARMONIC DISTORTION	EFFICIENCY (230V AC / 277V AC)
100-277V AC	50 / 60 Hz	>0.92	THD < 10% when Output Loading	>91%

DIMENSIONS

SIDE



MOUNT

