

CUBE SERIES LED 300W / 30,000 LM MODULAR FIXTURE

The **CUBE SERIES LED 300W MODULAR FIXTURE** fixture achieves **30,000 LUMENS**.

The **300W MODULAR FIXTURE** is composed of six **50W MODULAR** fixtures and may be configured into any combination. Flexible and compact, the **CUBE SERIES LED MODULAR FIXTURE** puts light in all the right places.

Truly a design breakthrough, the **CUBE SERIES LED** offers individually contained and heatsinked, 6" x 6" modular fixtures that may be connected together in a series to achieve any lumen output and configuration. Choose the exact lumens and form factor to fit your project requirements.

APPLICATION

This interior fixture is perfect for parking garage, tunnel, area, canopy, wall mount, and high bay lighting applications.

FEATURES & BENEFITS

- 10-year Limited Warranty.
- Superior optics produce high target efficacy and low glare

LED & OPTICAL ASSEMBLY

- Osram / Nichia Emitters
- 80 CRI LED Chips
- Type V (120°) Light Distribution, other distributions available on request
- Polycarbonate, over optic lens provides optimal light distribution and enhanced durability

APPROVALS / LISTINGS

- IP65 per ANSI C126.25-2009
- Temperature rated -40°C to 50°C (-40°F to 122°F)

MATERIALS

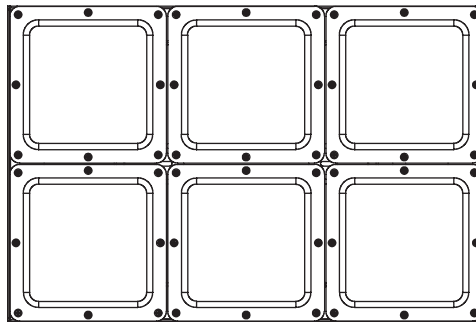
- Powder coated, pure aluminum body
- Polycarbonate, over optic lens cover
- Inventronics / MeanWell drivers
- 0-10V Dimming available

SIZE / WEIGHT (PACKAGED)

18.0 x 11.8" x 7.5" (22.0" x 14.0" x 9.0")
 XX lbs. (XX lbs.)

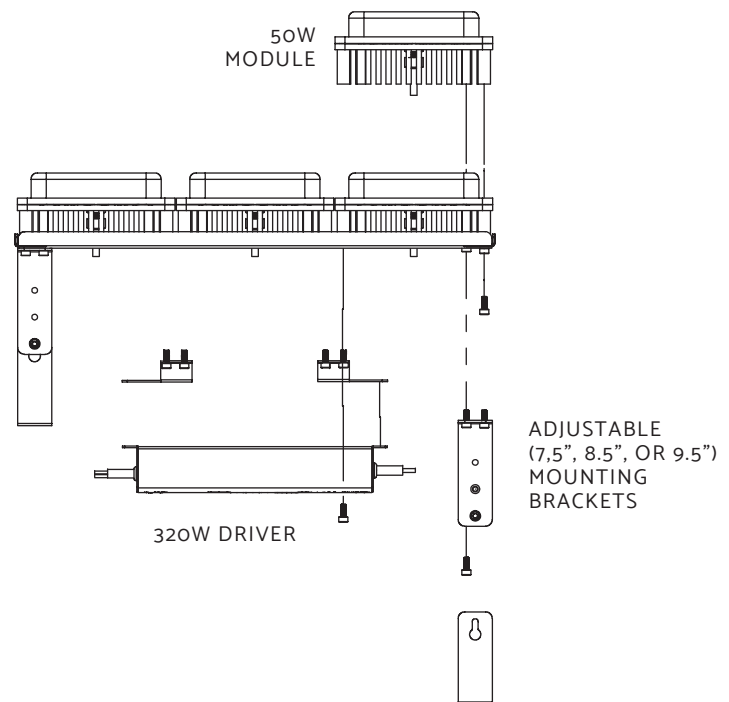
MOUNTING

Included mounting bracket may be set in three positions (7.5", 8.5", or 9.5" total fixture height) to accommodate most any application.



**2 x 3 CUBE
(6 x 50W MODULES)
CONFIGURATION**

CUBES MAY BE ADDED TO CREATE PRACTICALLY ANY FORMATION.



ORDER INFORMATION

e.g., EL-LED-CS-300-UL-50-WG3X2

SERIES	WATTAGE	VOLTAGE	COLOR TEMP
EL-LED-CS	300		
EL-LED-CS EVERLAST LED CUBE SERIES MODULAR FIXTURE	300 WATT 30,000 LUMENS	UL UNIVERSAL (120-277V AC) UH UNIVERSAL (347-480V AC)	50 5000K 80CRI 40 4000K 80CRI 27 2700K 80CRI

CORD OPTIONS		ADDITIONAL OPTIONS
S6W 6' WHITE 120V STANDARD	S6B 6' BLACK 120V STANDARD	D 0-10V DIMMING WG3X2 3X2 WIRE GUARD
S9W 9' WHITE 120V STANDARD	S9B 9' BLACK 120V STANDARD	
L56W 6' WHITE 120V TWIST LOCK	L56B 6' BLACK 120V TWIST LOCK	
L59W 9' WHITE 120V TWIST LOCK	L59B 9' BLACK 120V TWIST LOCK	
L66W 6' WHITE 240V TWIST LOCK	L66B 6' BLACK 240V TWIST LOCK	
L69W 9' WHITE 240V TWIST LOCK	L69B 9' BLACK 240V TWIST LOCK	
L76W 6' WHITE 277V TWIST LOCK	L76B 6' BLACK 277V TWIST LOCK	
L79W 9' WHITE 277V TWIST LOCK	L79B 9' BLACK 277V TWIST LOCK	



CUBE SERIES LED 300W / 30,000 LM MODULAR FIXTURE

EMITTER (OSRAM / NICHIA) & DRIVER (INVENTRONICS / MEANWELL) SPECIFICATIONS

SYSTEM WATTS (120-277V AC)	INITIAL DELIVERED LUMENS (5000K) 75 CRI	NUMBER OF LEDS	TOTAL CURRENT / FIXTURE			
			120V AC	208V AC	240V AC	277V AC
300	30,000	288	2.50	1.44	1.25	1.08

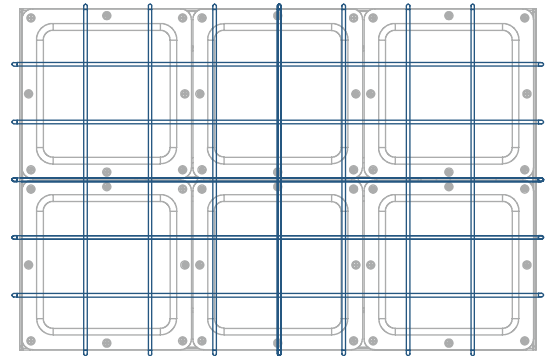
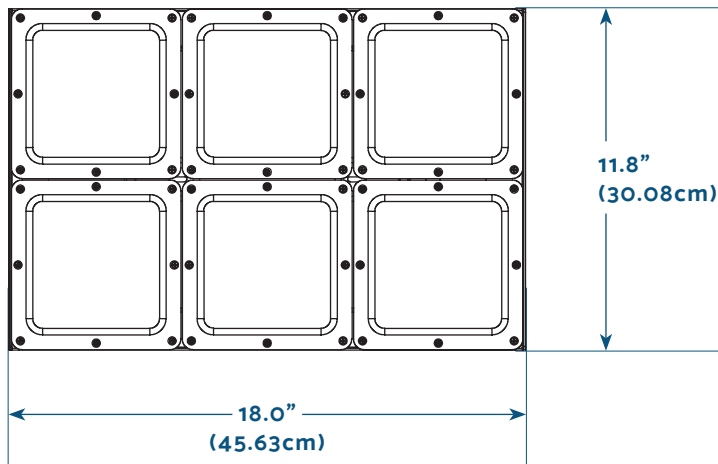
INPUT

VOLTAGE RANGE	FREQUENCY RANGE	POWER FACTOR	TOTAL HARMONIC DISTORTION	EFFICIENCY (230V AC / 277V AC)
90-305V AC 312-528V AC	50 / 60 Hz	0.93	THD < 10% WHEN OUTPUT LOADING	>93%

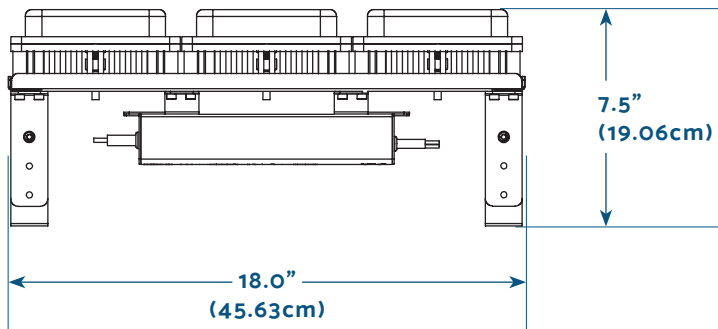
2 x 3 CUBE (6 x 50W MODULES)

WG3X2 3x2 Wire Guard

TOP VIEW



SIDE VIEW



SIDE VIEW

