



# EVERLAST LED HIGH TEMP 65C LEGEND ALUMINUM 30" 480W / 62,880LM

The EVERLAST LED HIGH TEMP 65C 480W fixture achieves **62,880 LUMENS** and maintains function in ambient temperatures to **149°F (65°C)**.

THE EVERLAST LED HIGH TEMP 65C 480W fixture combines two **65C 240W** fixtures and a 30" aluminum reflector to create a truly powerful single unit.

The unique design and unparalleled performance of the **65C 600W** fixture allows for mount heights greater than 60 feet (18.3 meters) while maintaining exceptional light levels.

### APPLICATION

This indoor fixture is ideal for industrial applications (metal mill, foundry, food processing) with high ambient (149°F) temperatures.

### FEATURES & BENEFITS

- 131 Lumens / Watt
- 5-year Limited Warranty
- Moons LED Driver offers high performance and unprecedented quality to 149°F

### LED & OPTICAL ASSEMBLY

- Lumileds LED chips provide unmatched efficiency, heat dissipation, stability, and lumen maintenance
- Performance engineered clear glass lens assembly delivers 120° beam angles
- 80 CRI
- LM-79 Tests in accordance with IESNA Standards

### APPROVALS / LISTINGS

- ETL Listed to UL1598
- IP65 Rated
- Temperature rated -40° to 149°F (-40° to 65°C)
- CE / RoHS compliant
- LM80 & TM21 data available on request

### MATERIALS

- Aluminum driver housing with powder coat finish for improved corrosion resistance & heat transfer
- Cold forged aluminum heat sink
- Includes 32" safety cable

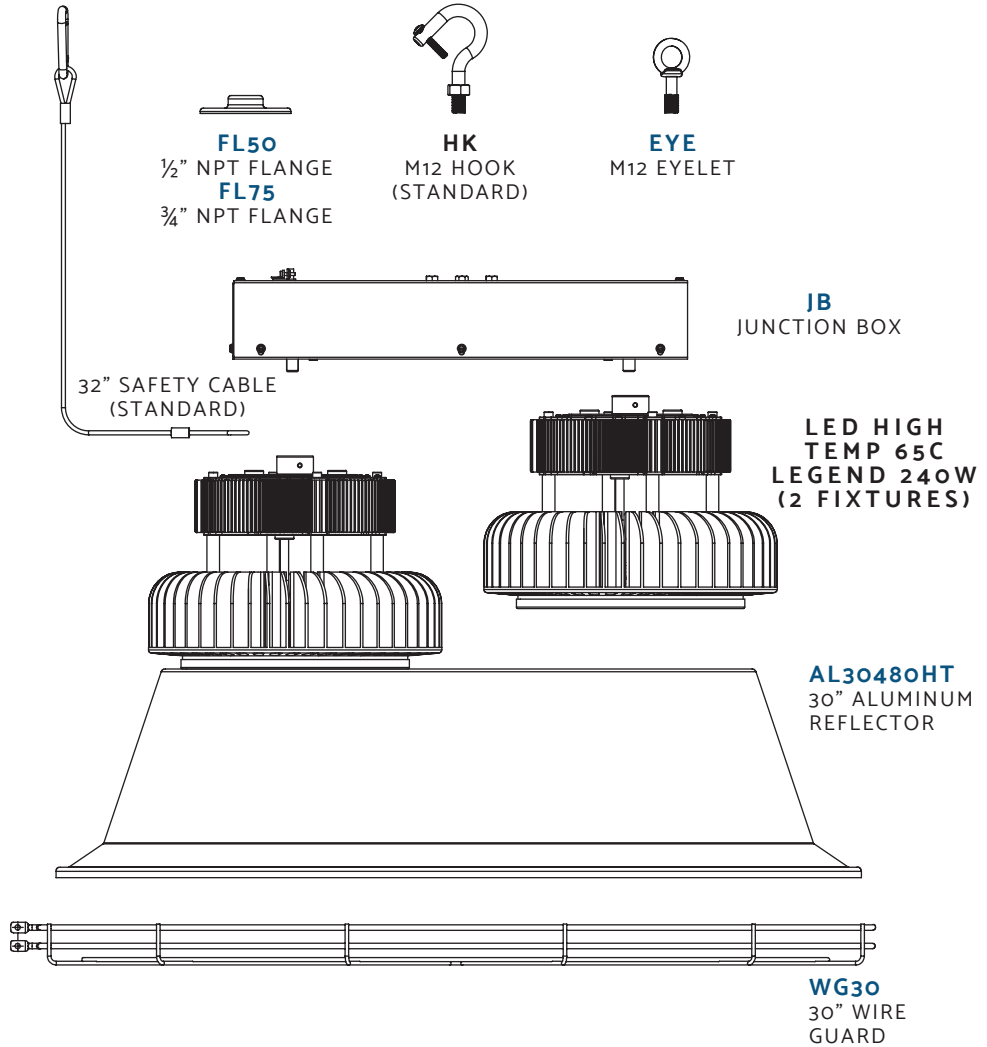
### SIZE / WEIGHT (PACKAGED)

22.6" x 30.2" x 30.2" (24.0" x 31.3" x 31.3")  
31.6 lbs. (36.8 lbs.)

### MOUNTING HARDWARE

M12 Hook (standard), 1/2" or 3/4" NPT Adaptor (optional), or M12 Eyelet (optional)

**FIXTURE**



**BASE**

EL-65C13-LG-	240-			
<b>FIXTURE</b>	<b>WATTAGE</b>	<b>VOLTAGE</b>	<b>COLOR TEMP.</b>	<b>LENS</b>
EL-65C13-LG- EVERLAST LED HIGH TEMPERATURE LEGEND	240 WATT X 2 62,880 LUMENS	L 120-277V AC UH 277-480V AC	50 5000K 40 4000K 30 3000K	X 120° FLAT LENS

**ACCESSORY**

### REFLECTOR

**AL30480HT** 30" ALUMINUM REFLECTOR

### CORD

**S9W** 9' WHITE 120V STANDARD  
**L59W** 9' WHITE 120V TWIST LOCK  
**L69W** 9' WHITE 240V TWIST LOCK  
**L79W** 9' WHITE 277V TWIST LOCK  
**6FW** 6' FLEXIBLE CONDUIT (REQUIRES JUNCTION BOX)

**S9B** 9' BLACK 120V STANDARD  
**L59B** 9' BLACK 120V TWIST LOCK  
**L69B** 9' BLACK 240V TWIST LOCK  
**L79B** 9' BLACK 277V TWIST LOCK  
**9BCNO** 9' BLACK NO PLUG

### MOUNT

**EYE** M12 EYELET  
**FL50** 1/2" NPT FLANGE  
**FL75** 3/4" NPT FLANGE  
**HK** M12 HOOK

### OTHER

**JB** JUNCTION BOX  
**SC6** 72" SAFETY CABLE  
**WG30** 30" WIRE GUARD



## EVERLAST LED HIGH TEMP 65C LEGEND ALUMINUM 30" 480W / 62,880LM

### SPECS

#### EMITTER (LUMILEDS) & DRIVER (MOONS)

SYSTEM WATTS (120-277V AC)	INITIAL DELIVERED LUMENS (5000K) 80CRI	NUMBER OF LEDS	TOTAL CURRENT / FIXTURE				
			120V AC	208V AC	240V AC	277V AC	480V AC
480	62,880	496	4.00	2.31	2.00	1.73	1.00

### INPUT

VOLTAGE RANGE	FREQUENCY RANGE	POWER FACTOR	TOTAL HARMONIC DISTORTION (DURING OUTPUT LOAD)	EFFICIENCY (230V AC / 277V AC)
120-277V AC 277-480V AC	50 / 60 Hz	0.93 - 0.98	THD < 10%	>87%

### DIMENSIONS

