



Classic Shoe Box



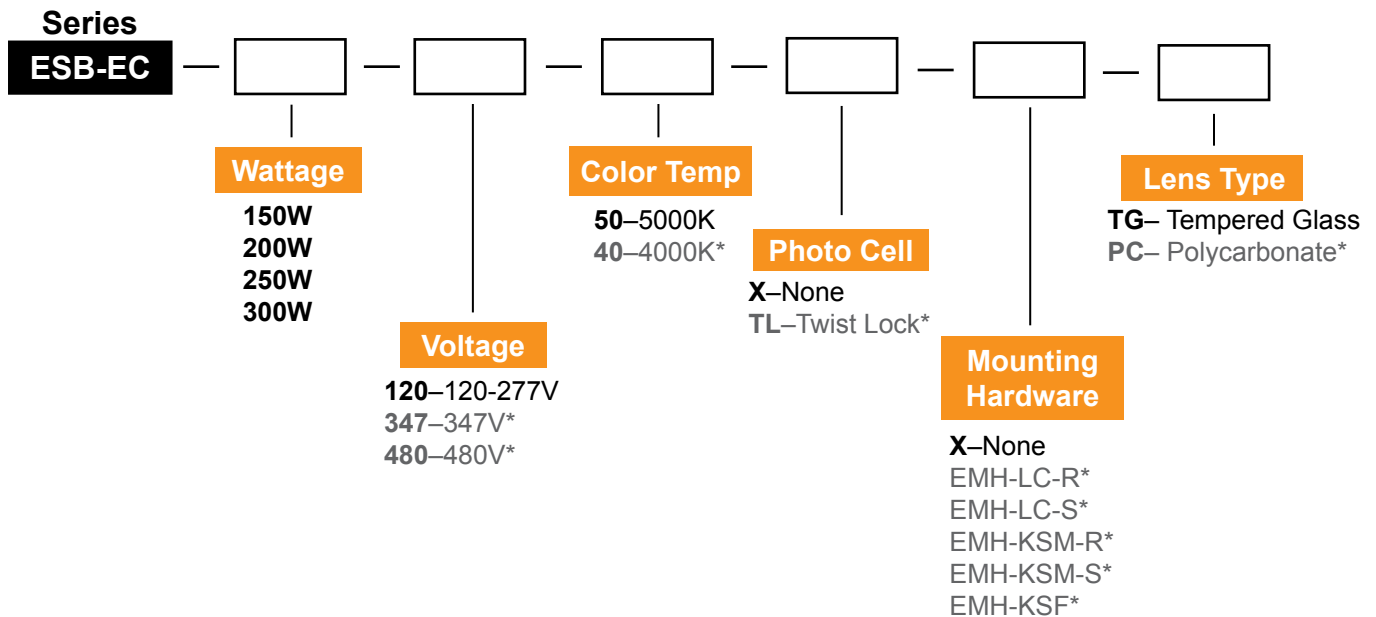
Description

- Series: ESB-EC
- Lamp Life Rating: 100,000 hours
- Lumen Maintenance: 70% over 100,000 hours
- Light Output: 5000K, 82-90 CRI
- IP Rating: IP54
- Applications: Parking lots, plazas, shopping malls, athletic courts
- EPA: 1.9ft²
- Warranty: 10 Year Limited

Specifications and Patent Pending Features

- Welded aluminum housing with bronze powder coated finish for corrosion-resistance
- Anodized aluminum reflector designed to optimize light distribution
- Clear tempered glass or optional polycarbonate lens
- Electronic ballast with high power factor
- Excellent vibration & shock resistance

Ordering Information



Bold = Standard

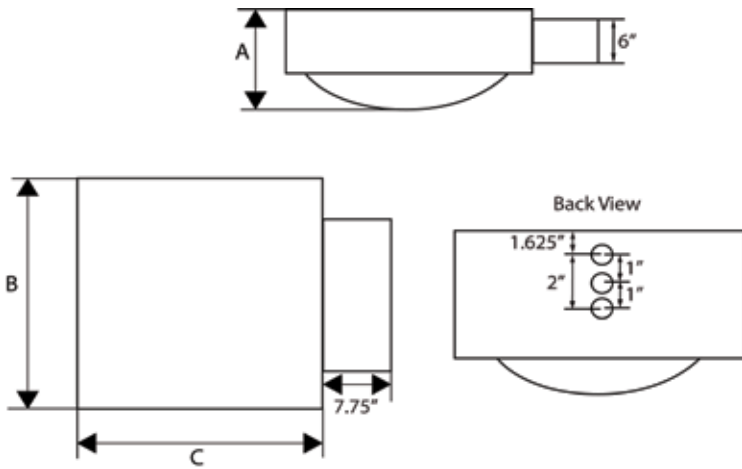
Grey * = Upgrade options available upon request

Example: **ESB-EC-200-120-50-TL-X-TG**

Call Toll Free: 888-383-7578

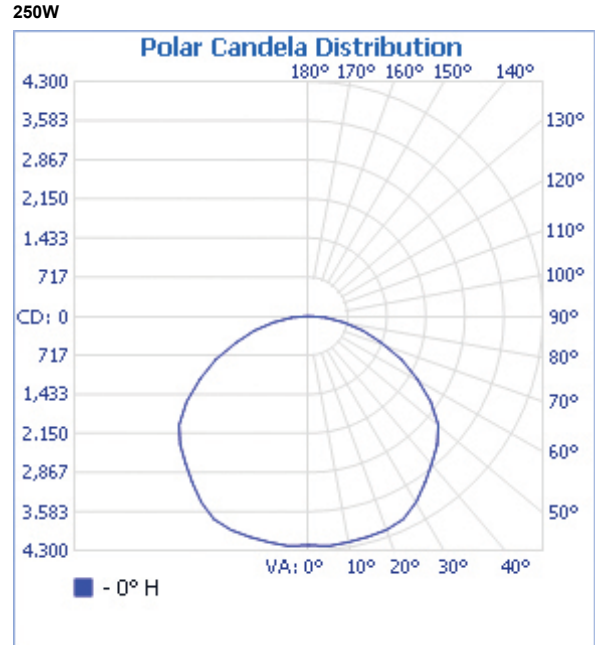
www.everlastlight.com

Dimensions



	A	B	C
150W	8.86"	21.57"	21.69"
200W	8.86"	21.57"	21.69"
250W	10.04"	22.76"	22.87"
300W	10.04"	22.76"	22.87"

Photometric Data



Lamp Specifications

Wattage	Lumens	L/W Ratio	CRI	CCT (KELVIN)	Rated Life
150W	16,800	84	82-85	5000	100,000 hours
200W	16,800	84	82-85	5000	100,000 hours
250W	21,000	84	82-85	5000	100,000 hours
300W	25,200	84	82-85	5000	100,000 hours

Ballast Specifications

System Wattage	Input Voltage	Input Current	Input Freq.	Power Factor	Ambient Temp	THD
165W	120-277V/480V*	1.35-0.61A / 0.35A	50/60Hz	>0.95	-40 to 130 F°	<10%
215W	120-277V/480V*	1.77-0.80A / 0.45A	50/60Hz	>0.95	-40 to 130 F°	<10%
265W	120-277V/480V*	2.21-1.00A / 0.56A	50/60Hz	>0.95	-40 to 130 F°	<10%
320W	120-277V/480V*	2.65-1.20A / 0.62A	50/60Hz	>0.95	-40 to 130 F°	<10%

Application Image



Dagmars Marina, Everett WA