



**EverLast® Induction Lighting ENW-EG-85W**

- Wattage: 85w
- Lamp Life Rating: 80,000 hours
- Ballast Life Rating: 60,000 hours
- CCT: 5000k
- CRI: 82-85
- IP Rating: IP54
- Vibration & Shock Resistance: Excellent
- Applications: Parks, shopping malls, plazas, historic areas, municipalities

**Specifications**

**Lamp**

Wattage (W)	Lumens (LM)	CRI	CCT (Kelvin)	Rated Life (Hours)
85	7,200	82-85	5000	80,000

**Ballast**

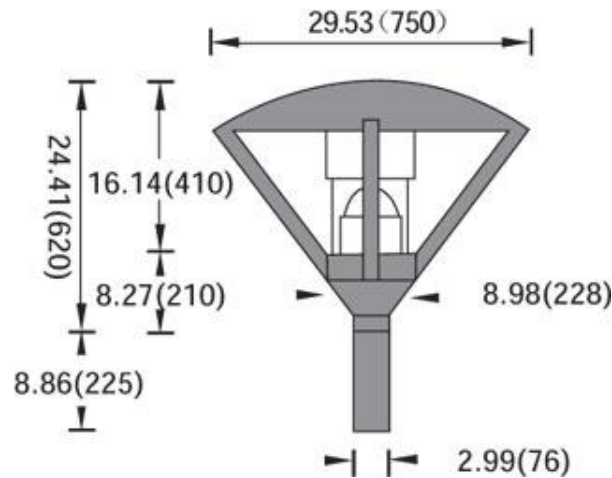
Input Power (W)	Input Voltage (V)	Input Current (A)	Input Freq. (Hz)	Power Factor (PF)	Operating Temp. (°F)	THD (%)
90	120-277/480	0.76-0.34	50/60	>.95	-5 to 130	<10

**Physical Specifications**

- High pressure aluminum alloy with PET and silver powder coating
- Lens options include transparent, translucent, or opalescent
- Optional step-dimming ballast for use with sensors for additional energy savings
- Electronic ballast with high power factor

**EverLast® Induction Lighting ENW-EG-85W**

**Dimensions**



**EverLast® Terms and Conditions of 10 year limited warranty**

EverLast® Induction Lighting warrants that our fixtures, ballasts, and lamps will be free from defects in materials and workmanship for a period of ten (10) years or 60,000 hours (whichever comes first) from date of installation or date of manufacture if installation date is unknown. Ballasts, lamps, fixtures demonstrated to be defective within the warranty period will be repaired or replaced at EverLast® Induction Lightings discretion, at no cost provided the fixtures are installed and operated in accordance with manufacturer's recommendations. This warranty applies only to the original purchaser, for fixtures used within the US, Canada, or other countries as specified by EverLast® Induction Lighting. The warranty is non-transferable. EverLast® Induction Lighting reserves the right to examine all failed induction lighting systems and reserves the right to be the sole judge as to whether any housing, lamp and/or ballast is defective and covered under this warranty

To view the full terms and conditions please visit the EverLast® website [here](http://www.everlastlight.com).