



## Huron Aluminum Low Bay



Manufactured in U.S.A.  
Per Buy American Act 41U.S.C.

\*Patent Pending

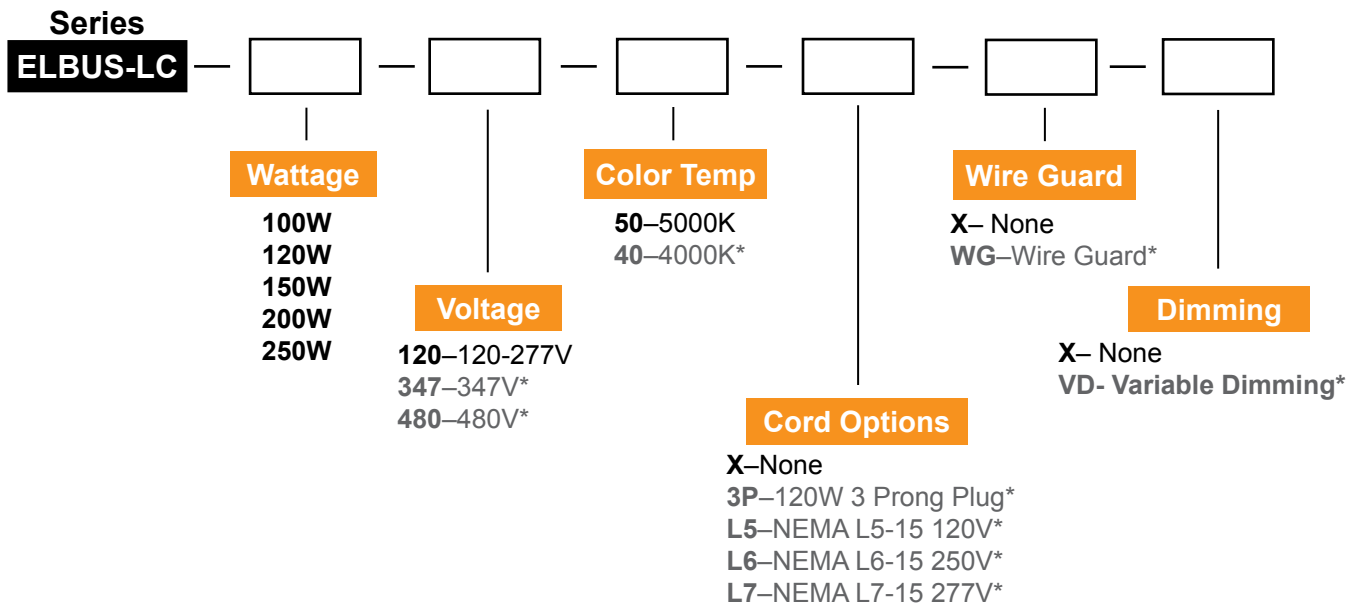
### Description

- Series: ELBUS-LC
- Lamp Life Rating: 100,000 hours
- Lumen Maintenance: 70% over 100,000 hours
- Light Output: 5000K, 82-85 CRI
- IP Rating: IP43
- Applications: Warehouses, factories, retail showrooms, gymnasiums, workshops
- Warranty: 10 Year Limited

### Specifications and Patent Pending Features

- Aluminum reflector with anodized inner surface
- UV stabilized acrylic lens
- Die cast aluminum ballast casing with corrosion-resistant white powder coat finish
- Simple latching hook or pendant mounting system
- Electronic ballast with high power factor
- Excellent vibration and shock resistance

## Ordering Information



**Bold** = Standard

**Grey \*** = Upgrade options available upon request

Example: **ELBUS-LC-200-120-50-L5-WG-VD**

\*Legal Notice: Full Spectrum Solutions owns proprietary rights in the EverLast® Series of fixtures in the form of pending patent applications in the US and PCT applications for International protection.

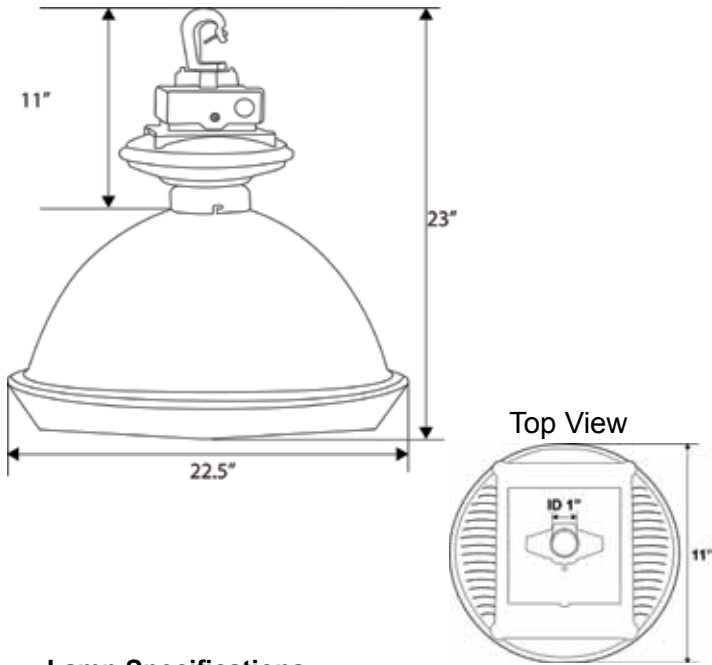
Call Toll Free: 888-383-7578

www.everlastlight.com

© 2012 EverLast® Lighting. All Rights Reserved. Published by EverLast® Lighting, 2021 Wellworth Avenue, Jackson, Michigan 49203. Reproduction in part or whole of this document in any commercial uses including publication, broadcasting or redistribution in any medium without the prior written permission of the publisher is prohibited.

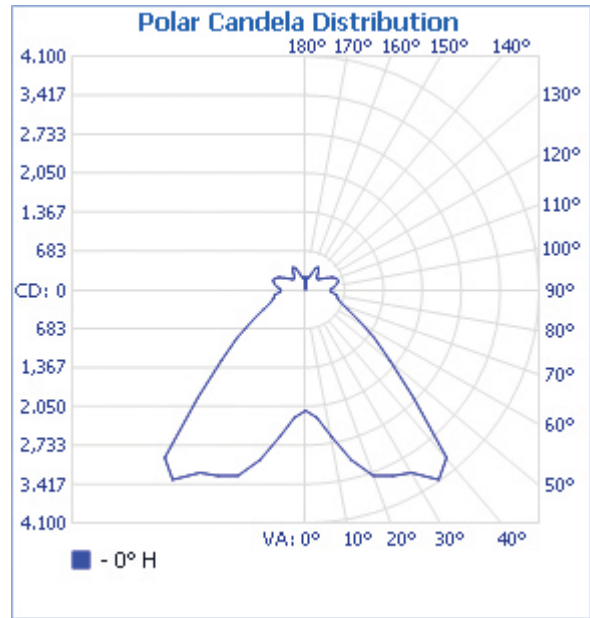


## Dimensions



## Photometric Data

150W



### Lamp Specifications

Wattage	Lumens	L/W Ratio	CRI	CCT (KELVIN)	Rated Life
100W	8,400	84	82-85	5000	100,000 hours
120W	10,100	84	82-85	5000	100,000 hours
150W	12,600	84	82-85	5000	100,000 hours
200W	16,800	84	82-85	5000	100,000 hours
250W	21,000	84	86-90	5000	100,000 hours

### Ballast Specifications

System Wattage	Input Voltage	Input Current	Input Freq.	Power Factor	Ambient Temp	THD
111W	120-277V/480V*	0.93-0.42A / 0.22A	50/60Hz	>0.95	-20 to 130 F°	<10%
134W	120-277V/480V*	1.05-0.46A / 0.28A	50/60Hz	>0.95	-20 to 130 F°	<10%
165W	120-277V/480V*	1.35-0.61A / 0.35A	50/60Hz	>0.95	-20 to 130 F°	<10%
215W	120-277V/480V*	1.77-0.80A / 0.45A	50/60Hz	>0.95	-20 to 130 F°	<10%
265W	120-277V/480V*	2.21-1.00A / 0.56A	50/60Hz	>0.95	-20 to 130 F°	<10%

## Application Image



Yuengling Brewery, Pottsville PA

Call Toll Free: 888-383-7578

www.everlastlight.com

© 2012 EverLast® Lighting. All Rights Reserved. Published by EverLast® Lighting, 2021 Wellworth Avenue, Jackson, Michigan 49203. Reproduction in part or whole of this document in any commercial uses including publication, broadcasting or redistribution in any medium without the prior written permission of the publisher is prohibited.