



Open Rectangular



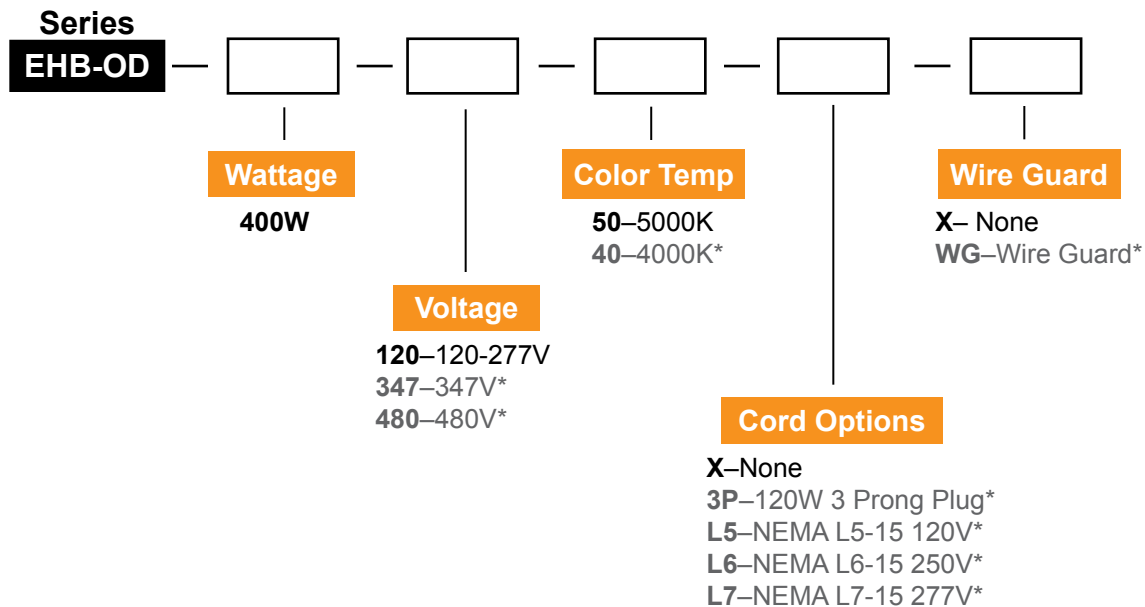
Description

- Series: EHB-OD
- Lamp Life Rating: 100,000 hours
- Lumen Maintenance: 70% over 100,000 hours
- Light Output: 5000K, 86-90 CRI
- IP Rating: IP20
- Applications: Warehouses, factories, retail showrooms, gymnasiums
- Warranty: 10 Year Limited

Specifications and Patent Pending Features

- Powder coated aluminum body with anodized aluminum reflector
- Die cast aluminum ballast casing with corrosion-resistant white powder coat finish
- Mounting can be suspended by chains, cables or pendant mounted
- Electronic ballast with high power factor
- Excellent vibration and shock resistance

Ordering Information



Bold = Standard

Grey * = Upgrade options available upon request

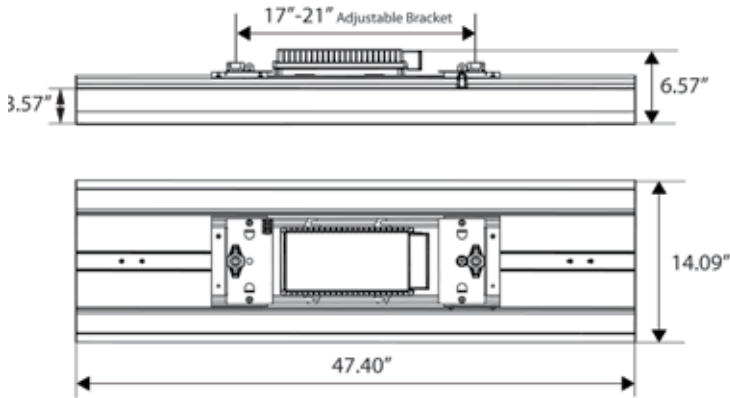
Example: **EHB-OD-400-120-50-L6-WG**

Call Toll Free: 888-383-7578

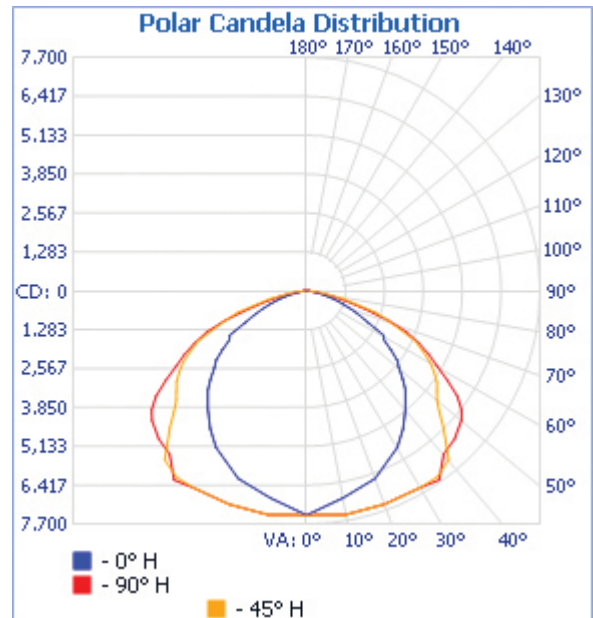
www.everlastlight.com



Dimensions



Photometric Data



Lamp Specifications

Wattage	Lumens	L/W Ratio	CRI	CCT (KELVIN)	Rated Life
400W	33,600	84	86-90	5000	100,000 hours

Ballast Specifications

System Wattage	Input Voltage	Input Current	Input Freq.	Power Factor	Ambient Temp	THD
440W	120-277V/480V*	3.54-1.60A / 0.92A	50/60Hz	>0.95	-20 to 130 F°	<10%

Application Image



BMW Car Enthusiast Garage, Worcester MA

Call Toll Free: 888-383-7578

www.everlastlight.com