



Manufactured in U.S.A.
Per Buy American Act 41U.S.C.



*Patent Pending

Charlevoix Bi-Level Cobra

Description

- Series: ECHCUS-ED-BL
- Lamp Rating: 100,000 Hours
- Lumen Maintenance: 70% over 100,000 Hours
- Light Output: 5000K, 85 CRI
- IP Rating: IP65
- Applications: Freeway, secondary roads, parking lots
- EPA: 1.9ft²
- Warranty: 10 Year Limited

Specifications and Patent Pending Features

- Specular reflector optimized for induction lamp geometry
- Acrylic lens with Type II full cut off, or Type III cut off
- Die cast aluminum housing with weatherproof powder coated finish
- Individual, isolated compartments protect ballast, lamp and slip-fit mounting hardware
- Tool-less entry for easy access, with gasket seal for IP65 ingress protection rating

Lamp Specifications

Wattage	Lumens	L/W Ratio	CRI	CCT (KELVIN)	Rated Life
70W/28W	5,900/2,400	84	82-85	5000	100,000 hours
80W/32W	7,150/2,900	84	82-85	5000	100,000 hours
100W/40W	8,400/3,400	84	82-85	5000	100,000 hours
120W/48W	10,100/4,100	84	82-85	5000	100,000 hours
150W/60W	12,600/5,100	84	82-85	5000	100,000 hours

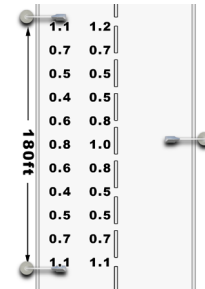
Ballast Specifications

System Wattage	Input Voltage	Input Current	Input Freq.	Power Factor	Ambient Temp	THD
82.6 / 36.9 dimmed	120-277V/480V*	0.63-0.29A / 0.16A	50/60Hz	>0.95	-40 to 130 F°	<10%
94.4 / 46.9 dimmed	120-277V/480V*	0.70-0.32A / 0.19A	50/60Hz	>0.95	-40 to 130 F°	<10%
118.0 / 58.5 dimmed	120-277V/480V*	0.93-0.42A / 0.22A	50/60Hz	>0.95	-40 to 130 F°	<10%
141.6 / 70.1 dimmed	120-277V/480V*	1.05-0.46A / 0.28A	50/60Hz	>0.95	-40 to 130 F°	<10%
166.0 / 85.0 dimmed	120-277V/480V*	1.35-0.61A / 0.35A	50/60Hz	>0.95	-40 to 130 F°	<10%

Recommended Roadway Lighting

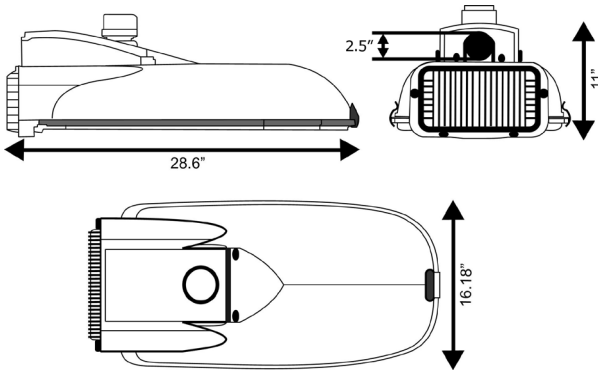
IES Recommended Spacing	100W
Local	365'
Collector	230'
Major	150'
Expressway/Freeway A	110'
Freeway B	160'

Grid Statistics	100W
Average	0.7fc
Max	1.2fc
Min	0.4fc
Max/Min	3.0
Avg/Min	1.80

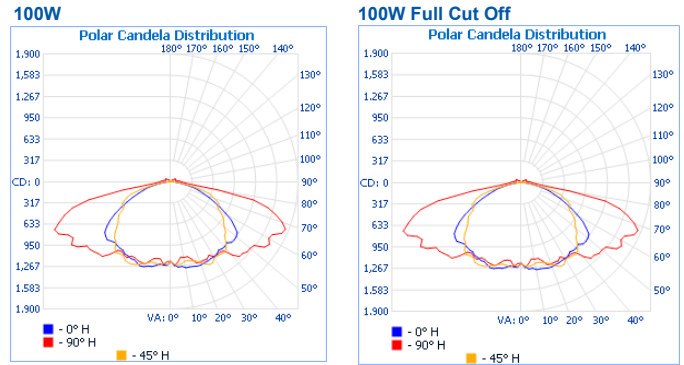


*Legal Notice: Full Spectrum Solutions owns proprietary rights in the EverLast® Series of fixtures in the form of pending patent applications in the US and PCT applications for International protection.

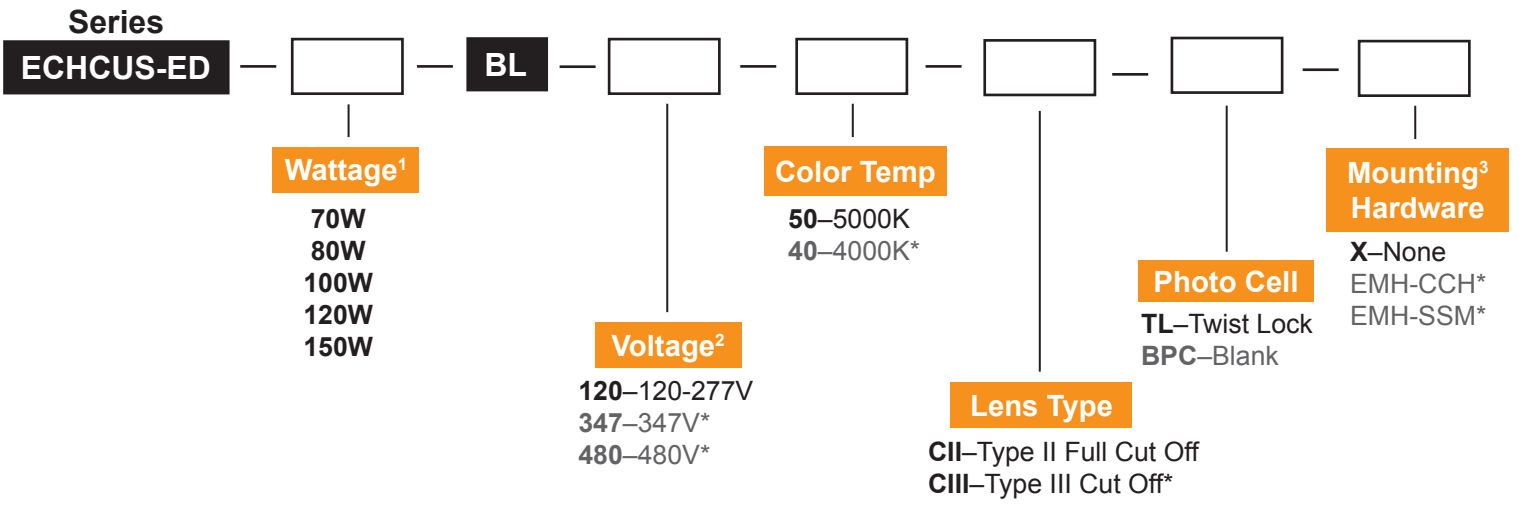
Dimensions



Photometric Data



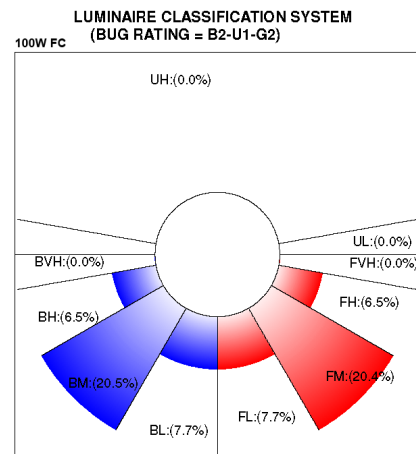
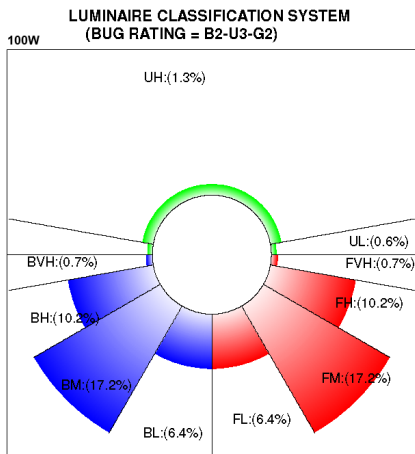
Ordering Information



Bold = Standard
 Grey * = Upgrade options available upon request

Example: **EHCUS-ED-100-BL-120-50-TL-CII-X**

BUG Rating



*Legal Notice: Full Spectrum Solutions owns proprietary rights in the EverLast® Series of fixtures in the form of pending patent applications in the US and PCT applications for International protection.