

## EverLast® Induction Lighting ECH-ED-250W



- Wattage: 250w
- Lamp Life Rating: 100,000 hours
- CCT: 5000K
- CRI: 86-90
- IP Rating: IP54
- Vibration & Shock Resistance: Excellent
- Applications: Freeway, highway, parking lots, public entrances, off-street areas
- EPA: 1.7 ft.<sup>2</sup>

### Lamp Specifications

Wattage (W)	Lumens (LM)	L/W Ratio	CRI	CCT (Kelvin)	Rated Life (Hours)
250	21,000	84	86-90	5000	100,000

### Ballast Specifications

Input Power (W)	Input Voltage (V)	Input Current (A)	Input Freq. (Hz)	Power Factor (PF)	Operating Temp. (°F)	THD (%)
265	120-277/480*	2.21-1.00/0.56	50/60	>.95	-40 to 130	<10

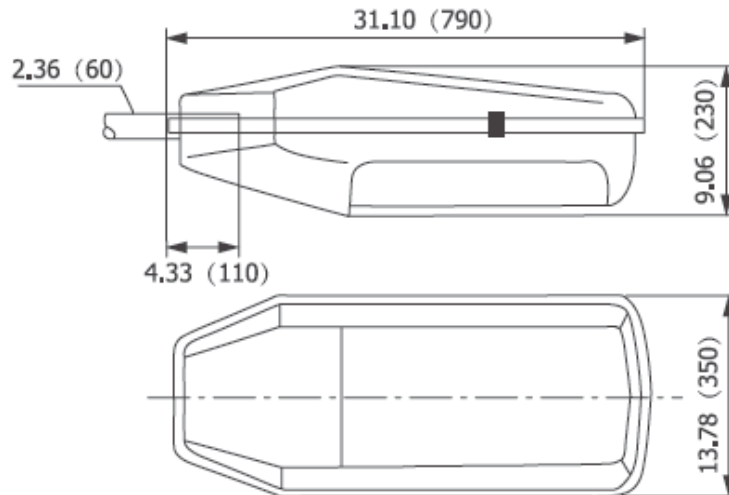
\*480v option available for an additional cost

### Physical Specifications

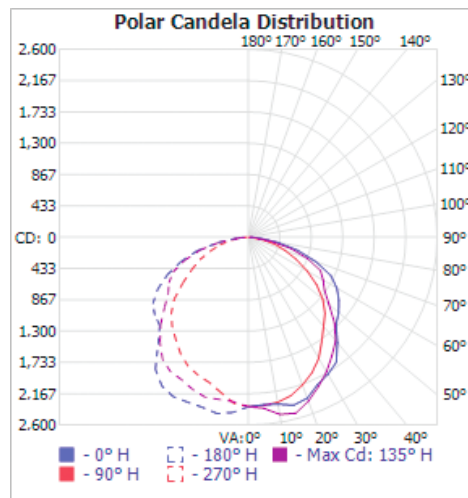
- High pressure die cast aluminum alloy housing for corrosion resistance
- Tempered glass lens and easy open fixture design
- Anodized aluminum reflector for optimal light distribution
- Twist-lock photocell for automatic on-off
- Electronic ballast with high power factor

**EverLast® Induction Lighting ECH-ED-250W**

**Dimensions**



**Photometric Data**



**EverLast® Terms and Conditions of 10 Year Limited Warranty**

EverLast® Induction Lighting warrants that our fixtures, ballasts, and lamps will be free from defects in materials and workmanship for a period of ten (10) years or 60,000 hours (whichever comes first) from date of installation or date of manufacture if installation date is unknown. Ballasts, lamps, fixtures demonstrated to be defective within the warranty period will be repaired or replaced at EverLast® Induction Lightings discretion, at no cost provided the fixtures are installed and operated in accordance with manufacturer’s recommendations. This warranty applies only to the original purchaser, for fixtures used within the US, Canada, or other countries as specified by EverLast® Induction Lighting. The warranty is non-transferable. EverLast® Induction Lighting reserves the right to examine all failed induction lighting systems and reserves the right to be the sole judge as to whether any housing, lamp and/or ballast is defective and covered under this warranty.

To view the full terms and conditions please visit the EverLast® website [http://www.everlastlight.com/terms\\_and\\_conditions.html](http://www.everlastlight.com/terms_and_conditions.html).