



## Cross Street Fixture

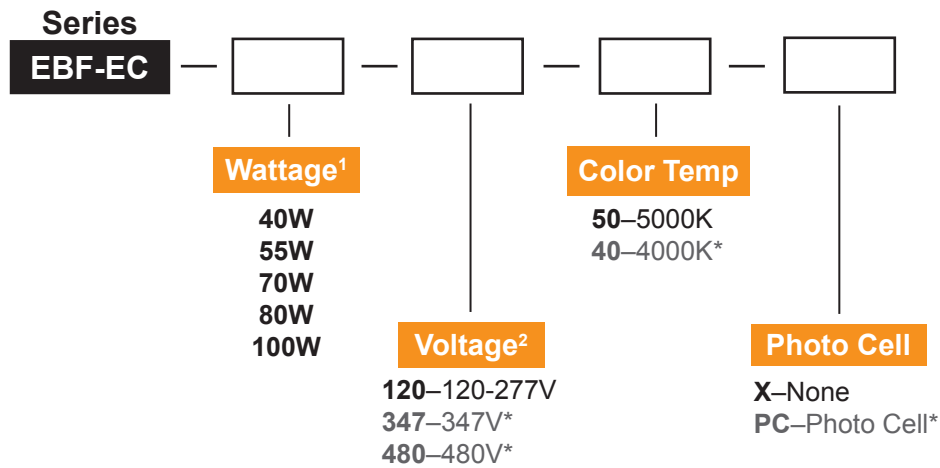
### Description

- Series: EBF-EC
- Lamp Life Rating: 100,000 hours
- Lumen Maintenance: 70% over 100,000 hours
- Light Output: 5000K, 82-85 CRI
- IP Rating: IP43
- Applications: Rural roads, barns, buildings
- Warranty: 10 Year Limited

### Specifications and Patent Pending Features

- High-pressure die cast aluminum alloy casing with powder coating for corrosion-resistance
- UV stabilized, heat resistant polycarbonate lens
- Lightweight and compact structure for easy installation and maintenance
- Electronic ballast with high power factor
- Mounting arm is removable for cable mount application

## Ordering Information

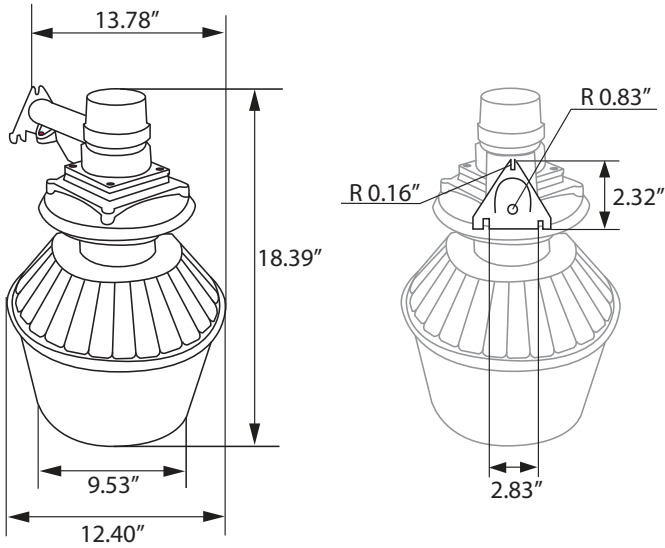


**Bold** = Standard  
**Grey \*** = Upgrade options available upon request

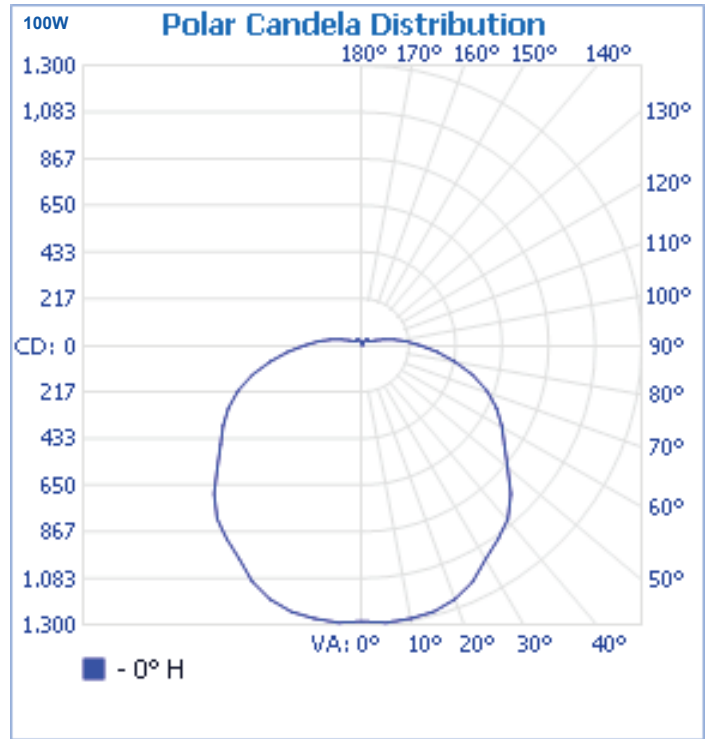
Example: **EBF-EC-70-120-50-X**

\*Legal Notice: Full Spectrum Solutions owns proprietary rights in the EverLast® Series of fixtures in the form of pending patent applications in the US and PCT applications for International protection.

### Dimensions



### Photometric Data



### Lamp Specifications

Wattage	Lumens	L/W Ratio	CRI	CCT (KELVIN)	Rated Life
40W	3,350	84	82-85	5000	100,000 hours
55W	4,650	84	82-85	5000	100,000 hours
70W	5,900	84	82-85	5000	100,000 hours
80W	7,150	84	82-85	5000	100,000 hours
100W	8,400	84	82-85	5000	100,000 hours

### Ballast Specifications

System Wattage	Input Voltage	Input Current	Input Freq.	Power Factor	Ambient Temp	THD
44W	120-277V/480V*	0.38-0.17A / 0.10A	50/60Hz	>0.95	-30 to 130 F°	<10%
61W	120-277V/480V*	0.50-0.21A / 0.13A	50/60Hz	>0.95	-30 to 130 F°	<10%
78W	120-277V/480V*	0.63-0.29A / 0.16A	50/60Hz	>0.95	-30 to 130 F°	<10%
90W	120-277V/480V*	0.70-0.32A / 0.19A	50/60Hz	>0.95	-30 to 130 F°	<10%
111W	120-277V/480V*	0.93-0.42A / 0.22A	50/60Hz	>0.95	-30 to 130 F°	<10%

\*Legal Notice: Full Spectrum Solutions owns proprietary rights in the EverLast® Series of fixtures in the form of pending patent applications in the US and PCT applications for International protection.