



Acorn Walkway



Manufactured in U.S.A.
Per Buy American Act 41U.S.C.

*Patent Pending

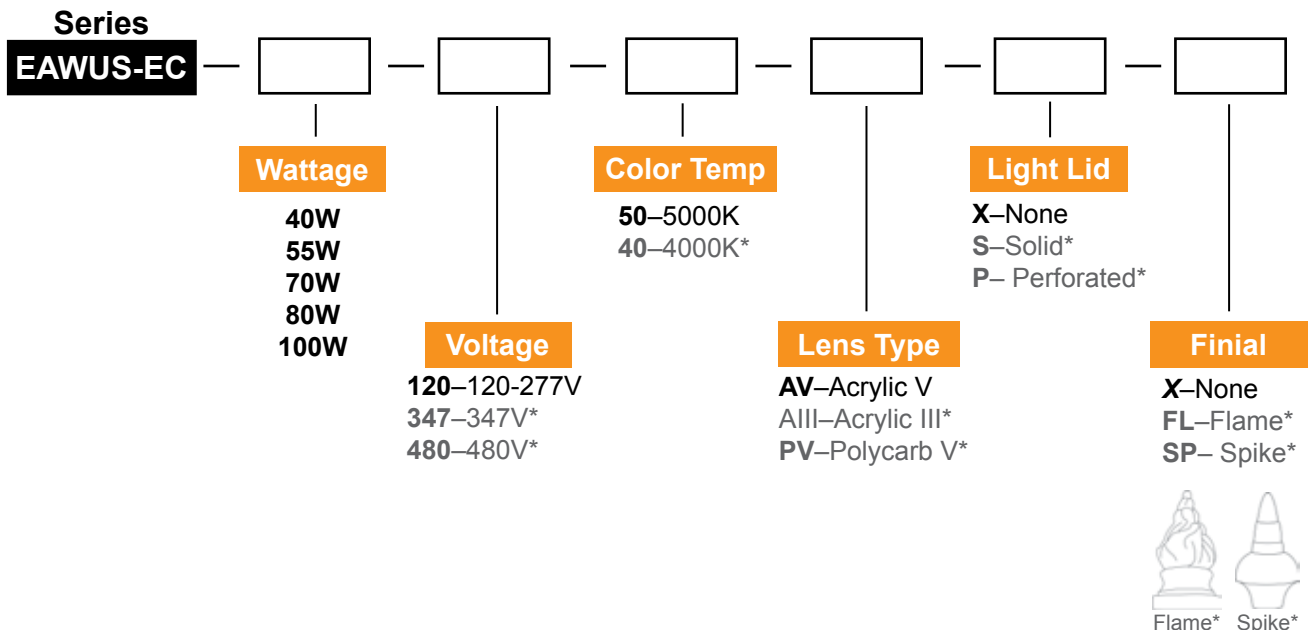
Description

- Series: EAWUS-EC
- Lamp Life Rating: 100,000 hours
- Lumen Maintenance: 70% over 100,000 hours
- Light Output: 5000K, 82-85 CRI
- IP Rating: IP54
- Applications: Parks, shopping malls, outlets, plazas, city halls, historic areas
- Warranty: 10 Year Limited

Specifications and Patent Pending Features

- Premium acrylic prismatic top or optional polycarbonate
- Type III or V prismatic refractor optics
- Enhanced UV packages for long term performance
- Excellent lighting uniformity and distribution due to superior optics design
- Stainless Steel clamp and aluminum neck ring
- Excellent vibration and shock resistance

Ordering Information



Bold = Standard

Grey * = Upgrade options available upon request

Example: **EAWUS-EC-70-120-50-PV-S-X**

*Legal Notice: Full Spectrum Solutions owns proprietary rights in the EverLast® Series of fixtures in the form of pending patent applications in the US and PCT applications for International protection.

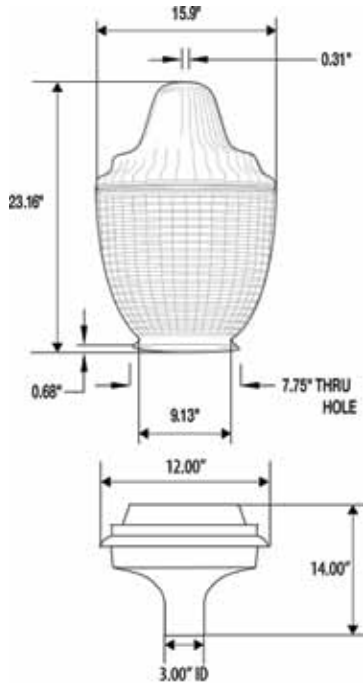
Call Toll Free: 888-383-7578

www.everlastlight.com

© 2012 EverLas[®] Lighting. All Rights Reserved. Published by EverLas[®] Lighting, 2021 Wellworth Avenue, Jackson, Michigan 49203. Reproduction in part or whole of this document in any commercial uses including publication, broadcasting or redistribution in any medium without the prior written permission of the publisher is prohibited.

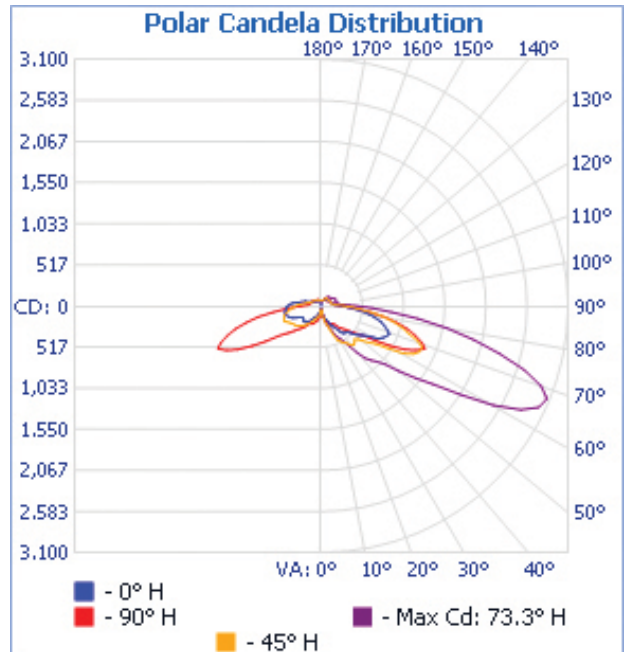


Dimensions



Photometric Data

70W Type III



Lamp Specifications

Wattage	Lumens	L/W Ratio	CRI	CCT (KELVIN)	Rated Life
40W	3,350	84	>85	5000	100,000 hours
55W	4,650	84	>85	5000	100,000 hours
70W	5,900	84	>85	5000	100,000 hours
80W	7,150	84	>85	5000	100,000 hours
100W	8,400	84	>85	5000	100,000 hours

Ballast Specifications

System Wattage	Input Voltage	Input Current	Input Freq.	Power Factor	Ambient Temp	THD
44W	120-277V/480V	0.37-0.16A	50/60Hz	>0.95	-30 to 130 F°	<10%
61W	120-277V/480V	0.50-0.21A	50/60Hz	>0.95	-30 to 130 F°	<10%
78W	120-277V/480V	0.63-0.29A	50/60Hz	>0.95	-30 to 130 F°	<10%
90W	120-277V/480V	0.70-0.32A	50/60Hz	>0.95	-30 to 130 F°	<10%
111W	120-277V/480V	0.93-0.42A	50/60Hz	>0.95	-30 to 130 F°	<10%

Application Image



Historic District, Utica NY

Call Toll Free: 888-383-7578

www.everlastlight.com