

Manufactured in U.S.A.
Per Buy American Act 41U.S.C.

*Protected by U.S. Patents No. D636,526; D636,518 Additional Patents Pending

Wellworth Type III Cobra

Description

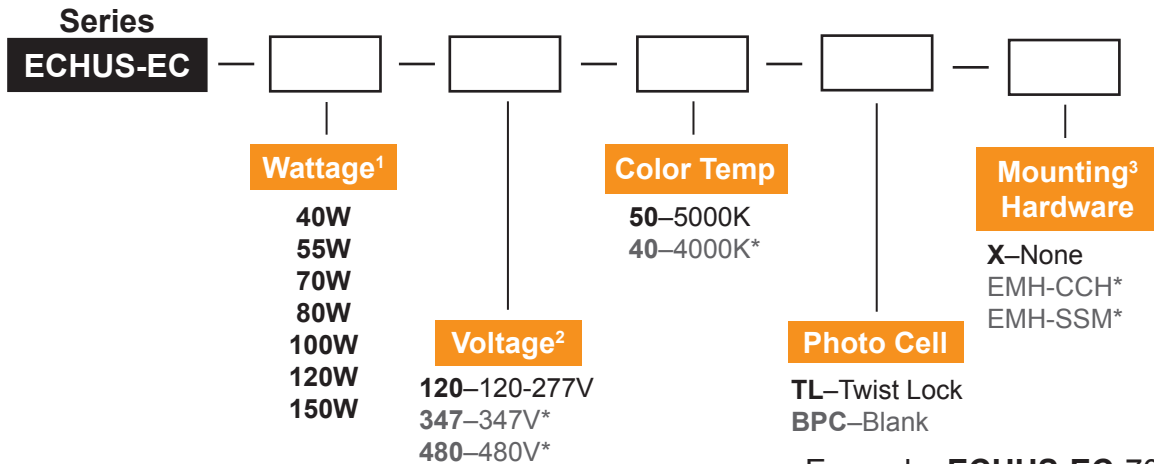
- Series: ECHUS-EC
- Lamp Life Rating: 100,000 hours
- Lumen Maintenance: 70% over 100,000 hours
- Light Output: 5000K, 82-85 CRI
- IP Rating: IP65
- Applications: Freeway, highway, secondary roads
- EPA: 1.6ft²
- Warranty: 10 Year Limited

Specifications and Patent Pending Features

- Specular reflector optimized for induction lamp geometry
- Integrated heat sink system for extended life
- Acrylic lens with Type III, medium throw prescription
- Heavy duty aluminum/hybrid interior design with increased durability for harsh environments
- Excellent vibration & shock resistance
- Fixture body 80% recycled polycarbonate resin



Ordering Information



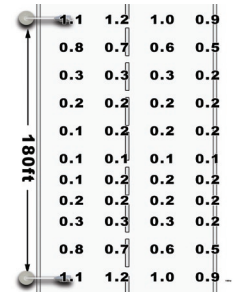
Black = Standard
Grey * = Upgrade options available upon request

Example: **ECHUS-EC-70-120-50-TL-X**

Recommended Roadway Lighting

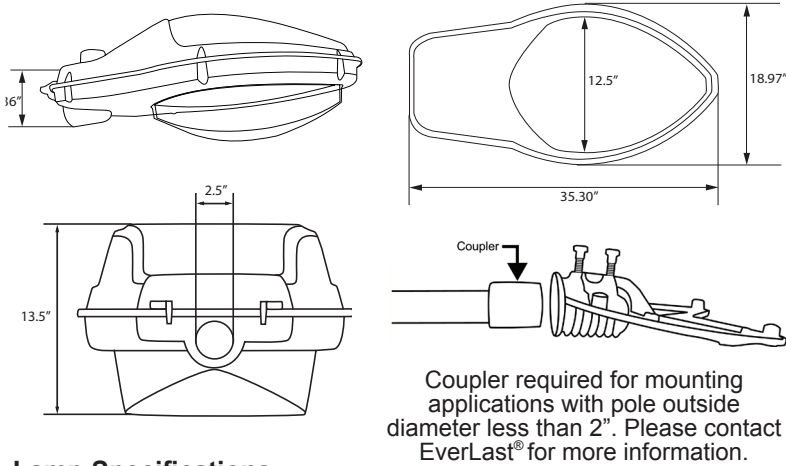
IES Recommended Spacing	100W
Local	350'
Collector	220'
Major	140'
Expressway/Freeway A	100'
Freeway B	150'

Grid Statistics	100W
Average	0.4fc
Max	1.2fc
Min	0.1fc
Max/Min	12.0
Avg/Min	4.0

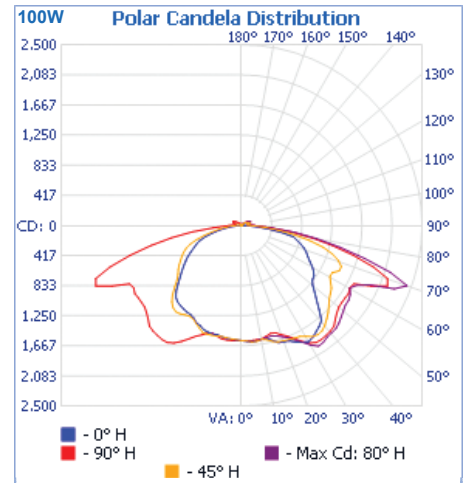


*Legal Notice: Full Spectrum Solutions owns proprietary rights in the EverLast® Series of fixtures in the form of U.S. Patents No. D636,526; D636,518 Additional Patents Pending.

Dimensions



Photometric Data



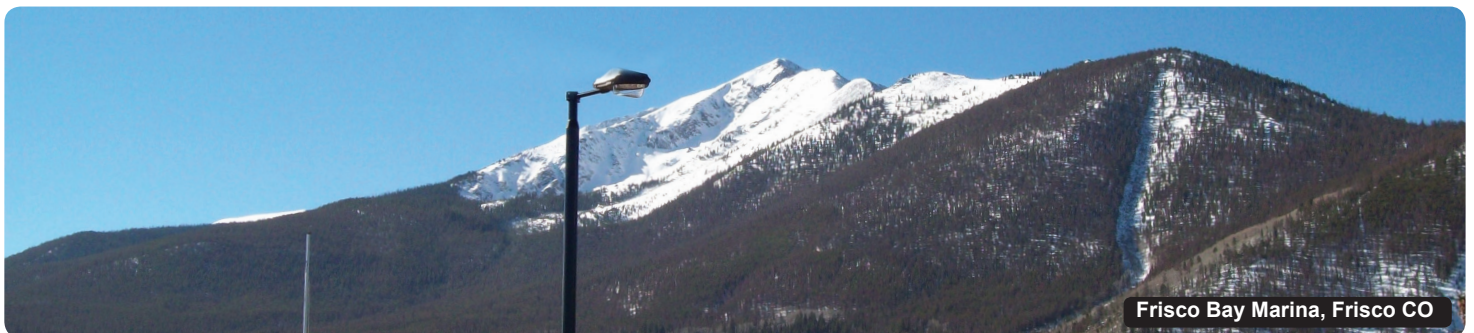
Lamp Specifications

Wattage	Lumens	L/W Ratio	CRI	CCT (KELVIN)	Rated Life
ECHUS-EC-40W	3,350	84	82-85	5000	100,000 hours
ECHUS-EC-55W	4,650	84	82-85	5000	100,000 hours
ECHUS-EC-70W	5,900	84	82-85	5000	100,000 hours
ECHUS-EC-80W	7,150	84	82-85	5000	100,000 hours
ECHUS-EC-100W	8,400	84	82-85	5000	100,000 hours
ECHUS-EC-120W	10,100	84	82-85	5000	100,000 hours
ECHUS-EC-150W	12,600	84	82-85	5000	100,000 hours

Ballast Specifications

System Wattage	Input Voltage	Input Current	Input Freq.	Power Factor	Ambient Temp	THD
44W	120-277V/480V*	0.38-0.17A / 0.10A	50/60Hz	>0.95	-40 to 130 F°	<10%
61W	120-277V/480V*	0.50-0.21A / 0.13A	50/60Hz	>0.95	-40 to 130 F°	<10%
78W	120-277V/480V*	0.63-0.29A / 0.16A	50/60Hz	>0.95	-40 to 130 F°	<10%
90W	120-277V/480V*	0.70-0.32A / 0.19A	50/60Hz	>0.95	-40 to 130 F°	<10%
111W	120-277V/480V*	0.93-0.42A / 0.22A	50/60Hz	>0.95	-40 to 130 F°	<10%
134W	120-277V/480V*	1.05-0.46A / 0.28A	50/60Hz	>0.95	-40 to 130 F°	<10%
165W	120-277V/480V*	1.35-0.61A / 0.35A	50/60Hz	>0.95	-40 to 130 F°	<10%

Application Image - ECHUS-EC



*Legal Notice: Full Spectrum Solutions owns proprietary rights in the EverLast® Series of fixtures in the form of U.S. Patents No. D636,526; D636,518 Additional Patents Pending.